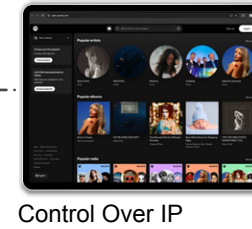
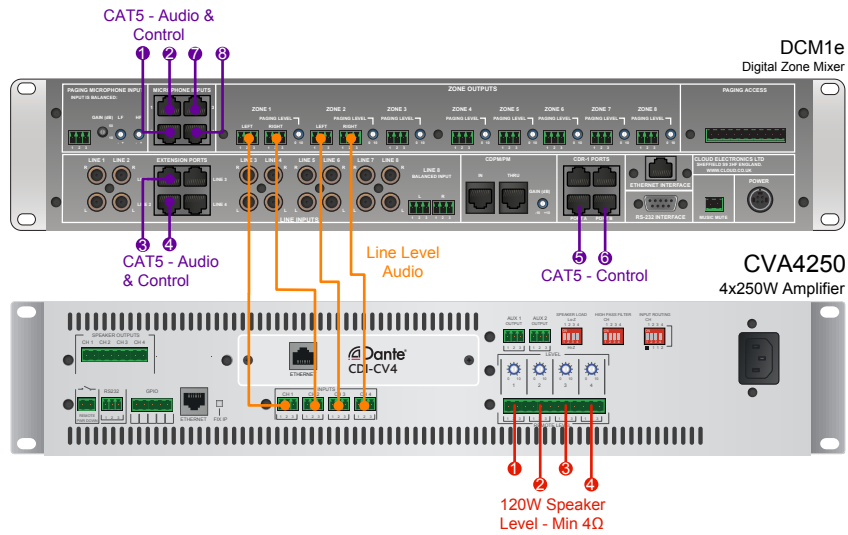


DCM1 Room Combination

Two zones using a DCM1e and a CVA4250 with an optional Dante™ Card for room combining application giving the end user increased flexibility. This is the ideal solution to ensure that zones are flexible; they can operate independantly or combine as a group to share sources. The zones have Mic, line and Bluetooth input plates alongside a CDR-1 Control Plate.

www.cloud.co.uk



Using the 'Grouping function' within the DCM1 software these can be grouped to act as one greater zone

