



cloud
Clearly better sound

Products and Accessories Catalogue



Contents

| | | | |
|--|----|--|----|
| Introduction | 2 | CDI-CA2, CDI-CA4, CDI-CA8 Dante Option Card..... | 36 |
| Cloud In-Ceiling & Surface Mount Speakers | | CXA125 Digital DSP Amplifier..... | 37 |
| CS-C3B & CS-C3W..... | 4 | CXA2125 Digital DSP Amplifier..... | 37 |
| CS-C4VB & CS-C4VW / CS-C4HB & CS-C4HW..... | 5 | CXA250 Digital DSP Amplifier..... | 38 |
| CS-C5B & CS-C5W..... | 6 | CXA2250 Digital DSP Amplifier..... | 38 |
| CS-C6B & CS-C6W..... | 7 | CXA21K Digital DSP Amplifier..... | 39 |
| CS-C8B & CS-C8W..... | 8 | CXA215K Digital DSP Amplifier..... | 39 |
| CS-CSUB8B & CS-CSUB8W..... | 9 | CV2500 2Ch Digital, DSP, 70V/100V Line Amplifier..... | 40 |
| CS-S3B & CS-S3W..... | 10 | CV4250 4Ch Digital, DSP, 70V/100V Line Amplifier..... | 40 |
| CS-S4B & CS-S4W..... | 11 | CV8125 8Ch Digital, DSP, 70V/100V Line Amplifier..... | 40 |
| CS-S6B & CS-S6W..... | 12 | CVA2500 2Ch at 500W Digital DSP Amplifier..... | 41 |
| CS-S8B & CS-S8W..... | 13 | CVA4250 4Ch at 250W Digital DSP Amplifier..... | 41 |
| CS-S10B & CS-S10W..... | 14 | CVA8125 8Ch at 125W Digital DSP Amplifier..... | 41 |
| CS-S12B - CS-S12W..... | 15 | CV/CVA Amplifier DSP Configuration and User GUI..... | 42 |
| CS-SUB8B & CS-SUB8W..... | 16 | CDI-CV2, CDI-CV4, CDI-CV8 Dante Option Card..... | 42 |
| Digitally Controlled Mixers | | Paging Microphones and Accessories | |
| DCM1 Digitally Controlled Zone Mixer..... | 18 | PM & PM-SA Paging Microphones..... | 44 |
| DCM1e Ethernet Digital Control Zone Mixer..... | 19 | DLM -1 Mic Input Module..... | 45 |
| Analogue Mixers | | DCM1 / DCM1e Accessories..... | 46 |
| Z4MK4 Four Zone Venue Mixer..... | 21 | BT-2EB, BT-2EW, BT-2EAB BT-2EAW..... | 46 |
| Z8MK4 Eight Zone Venue Mixer..... | 22 | CDR-1F & CDR-1..... | 46 |
| CX163 2 Zone Stereo Mixer with Mono Utility Output..... | 23 | LE-1, LE-1A (US Version)..... | 46 |
| CX261 MP3 Zone Mixer..... | 23 | ME-1, ME-1A (US Version)..... | 46 |
| CX263 3 Zone Mixer..... | 24 | BE-1, BE-1A (US Version)..... | 46 |
| CX462 Audio System Controller..... | 24 | Accessories Index | |
| Mixer Amplifiers | | BT-2W / BT-2B / BT-2AW..... | 47 |
| 46-120MK2 Four Zone Integrated Mixer Amplifier..... | 26 | LM-2 / LM-2A / LM-2D / L-1 / L-1A / M-1 / M-1A (B/W) Active Modules..... | 47 |
| 46-240 Four Zone Integrated Mixer Amplifier..... | 26 | RL-1/ RL-1A (B/W)..... | 47 |
| 46-80 : Four Zone Integrated Mixer Amplifier..... | 28 | RSL-6 / RSL-6A (B/W)..... | 47 |
| 46-80T : Four Zone Integrated Mixer Amplifier..... | 28 | RSL-4 / RSL-4A (B/W)..... | 47 |
| 24-120 Integrated Two Zone Mixer Amplifier..... | 29 | XLR-F1 / XLR-F1A (B/W)..... | 47 |
| 24-240 Integrated Two Zone Mixer Amplifier..... | 29 | XLR-M1 / XLR-M1A (B/W)..... | 47 |
| MA40 Mini Amplifier..... | 30 | FPA-1..... | 48 |
| MA40F Mini Amplifier..... | 30 | RE-S..... | 48 |
| MA40T Mini Amplifier..... | 30 | RE-L..... | 48 |
| MA40E Mini Amplifier..... | 30 | PS-UK / PS-EU / PS-NA..... | 48 |
| MA80 Mini Amplifier..... | 31 | CXL-50T..... | 48 |
| MA80FT Mini Amplifier..... | 31 | CXL-80T..... | 48 |
| MA80E Mini Amplifier..... | 31 | Speaker Accessories - Tile Bridges / Pre- Install Mud Guards..... | 48 |
| MA60..... | 32 | Contractor Series | |
| MA60T..... | 32 | MX141M..... | 50 |
| MPA120MK2 Mixer Amplifier..... | 33 | MX155..... | 50 |
| MPA240MK2 Mixer Amplifier..... | 33 | VMA120..... | 50 |
| Amplifiers | | VMA240..... | 50 |
| CA2250 2Ch Digital, Power Amplifier..... | 35 | VA2120..... | 51 |
| CA2500 2Ch Digital, Power Amplifier..... | 35 | VA4120..... | 51 |
| CA4250 4Ch Digital, Power Amplifier..... | 35 | CVS-C82TW / C5W / C5TW / C52TW / C53TW / C53TB / C62TW / C62TB / C83TW / C83TB..... | 52 |
| CA6160 6Ch Digital, Power Amplifier..... | 36 | CVS-P42TB/W & CVS-P62TB/W..... | 53 |
| CA8125 8Ch Digital, Power Amplifier..... | 36 | WB-P46B / WB-P46W..... | 54 |
| | | CVC-6/30/60/120..... | 54 |



For well over four decades Cloud has led the field in high-quality commercial audio systems. Over this time the world's most prestigious and respected brand names have turned to us consistently without question.

Blue-chip brands from high street retail, international hotels, museums, entertainment venues, health and fitness centres: they all choose Cloud, the reason? Together we share an uncompromising commitment to excellence. We understand the importance of reliability in all business enterprises. We know that quality pays for itself.

Our clients value clear and faultless sound that is easily managed and consistently reliable. Cloud enjoys a worldwide reputation for delivering exactly that, a reputation won almost entirely through word of mouth.

We set the greatest benchmark - performance over time.

All of our products are backed with a five-year guarantee.



It's Cloud's four-stage process that guarantees outstanding reliability and performance

We design for reliability

The most important stage is the original design integrity. Cloud designs all its products with the principle of reliability first. It is of no use having outstanding sound and a quality build if it fails within six months. Dependability and excellence are our primary objectives. We design our products for specific tasks, and we call on many years of experience from real-life installations in order to execute this design work appropriately and effectively. Our in-house research and development team doesn't cut corners.

Component choice

We're meticulous. We choose the best for the job - If you're designing for reliability and quality then it is logical to ensure you are using the right components from the start. There may be hundreds to choose from, we've tested them all. And we pick the ones we know won't let us down. No weak links, no breakdowns, no errors, no awkward silences, no expensive service call-outs.

Mechanical and electrical testing

Every single product, when it is being assembled, is put through a stringent range of audio precision tests: Using exacting test equipment and following precise engineer designed scripts, Cloud's experienced test engineers put every product through lengthy electrical and mechanical tests to ensure that all products are performing in line with our high standards before then passing them for Sound Testing.

Sound testing

Once assembled, we then put every single product through extensive sound testing, our team are trained to know how to spot the most subtle of defects, they are often professionals from the field in which the equipment will be used. This is to say we listen to everything we make, turn every switch and push every button. Nothing leaves our facility in Sheffield without working 100% and ready to carrying on doing so for years.





In-Ceiling & Surface Mount Speakers

Designed exclusively for Cloud Electronics in the USA by a specialist team of speaker design engineers. These speakers are extremely installer friendly and are tuned to complement the Cloud range of amplifiers and mixer amplifiers. The entire range are 100 V line and Low-Z. Designed with purpose, tested with care, to **sound better** and **last longer**.



CS-C3B & CS-C3W

3" In-Ceiling Speaker with a 100mm Shallow Back Can

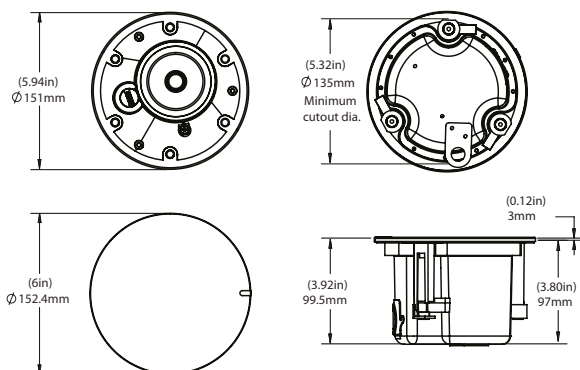


The Cloud CS-C3 In-Ceiling Speaker is a 3" full range loudspeaker featuring exceptional intelligibility and musical performance. Using components, the CS-C3 offers high musicality, with high intelligibility, prioritising bass response over sensitivity. All models offer ZeroEdge™ magnetic grilles which reveal the high/low impedance switch settings for distributed audio systems.

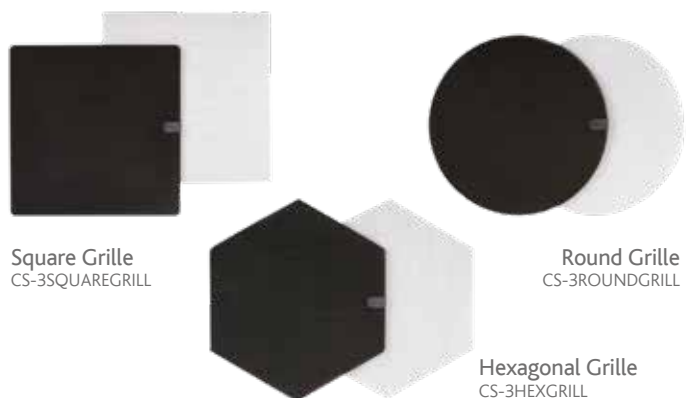
Designed exclusively for Cloud Electronics in the USA by a specialist team of speaker design engineers, the new CS-C Series speakers are extremely installer friendly and are tuned to complement the Cloud range of amplifiers and mixer amplifiers. Built for quality performance Cloud speakers are designed and tested to a superior standard by engineers who care and include a comprehensive 5-Year commercial warranty.

- 16W, 8W, 4W, 2W, 1W or 16W @ 16Ω
- 3" treated paper with rubber surround
- Nom SPL: 82dB 1W/1m Max SPL: 94dB @ 1m
- Locking euroblock connector
- Choice of black or white magnetic grill
- Optional: Square Grille or Hexagonal Grille

Loudspeaker Dimensions



Optional Replacement Grilles



CS-C4VB & CS-C4VW / CS-C4HB & CS-C4HW

4" In-Ceiling Speaker with a 100mm Metal Back Can



Round Grille
CS-4Grill-B
CS-4Grill-W

Square Grille
CS-4SQGRILL-B
CS-4SQGRILL-W

The Cloud CS-C4 speakers bring the premium Cloud signature sound to a diverse line of value priced speakers. The CS-C4 family includes 2 distinct models for specialized performance, including:

CS-C4V premium in-ceiling speaker at a value price point

CS-C4H low impedance in-ceiling speaker with premium performance and excellent pricing designed for Bathroom Applications

Both CS-C4 speakers share the same premium drivers and electronics, offering class leading intelligibility, premium musical performance, and excellent off-axis performance. The minimal diameter and installation depth make installation options flexible, and the ZeroEdge magnetic grill keeps the finished installation free of visual clutter.

CS-C4V

Smaller than the CS-C5, but with better acoustics and a lower price

Shallow backcan design for installation in tight spaces

Accessible high-impedance or low impedance switch settings

16 ohm impedance for low impedance daisy chaining

CS-C4H

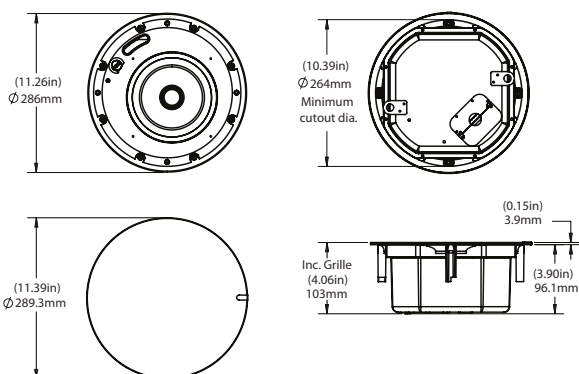
Premium low impedance performance at a value price

With sealed back can for moisture protection, transformer, and tap switch to push price even lower

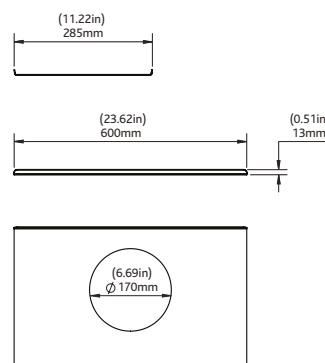
Plastic Magnetic Grille

16 ohm impedance for low impedance daisy chaining

Loudspeaker Dimensions



Tile Bridge



CS-4TB-4P
(4 Pack)



Tile Bridges & Pre-install Mud Guards are available (P48)

CS-C5B & CS-C5W

5" In-Ceiling Speaker with a 100mm Metal Back Can



Round Grille
CS-8Grill-B
CS-8Grill-W

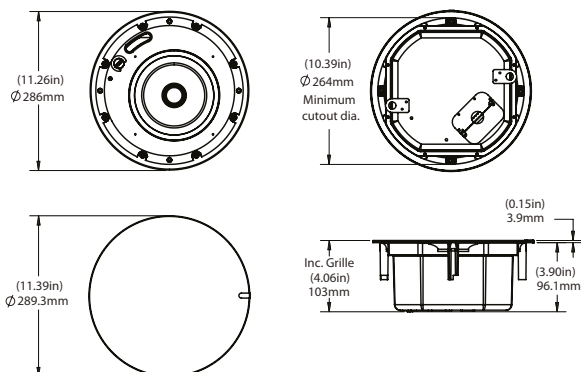
Square Grille
CS-8SQGRILL-B
CS-8SQGRILL-W

The Cloud CS-C5 In-Ceiling Speaker is a 5-inch coaxial two-way loudspeaker featuring exceptional intelligibility and musical performance. Using premium drivers and electronics, the CS-C5 offers high sensitivity, smooth frequency response and excellent off-axis performance. All models offer ZeroEdge™ magnetic grilles which reduce the high/low impedance switch settings for distributed audio systems.

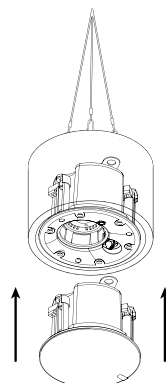
Designed exclusively for Cloud Electronics in the USA by a specialist team of speaker design engineers, the new CS-C Series speakers are extremely installer friendly and are tuned to complement the Cloud range of amplifiers and mixer amplifiers. Built for quality performance Cloud speakers are designed and tested to a superior standard by engineers who care and include a comprehensive 5-Year commercial warranty.

- Magnetic ZeroEdge™ grille with removable badge
- Easy inventory management with a single tile bridge and common grilles for the whole CS-C series
- Only one hole size to cut for all models within the CS-C series
- Premium drivers for exceptional sound quality and intelligibility
- Integrated high power transformer
- 16 ohm impedance for low impedance daisy chaining
- Low profile back can for installation into small ceiling voids
- Front mounted tap switch
- 4-pin quick connector for easy daisy-chaining and secure connections
- Available colours: black, white

Loudspeaker Dimensions



PC200



The PC-200 is a pendant housing for this loudspeaker.

CS-C speakers are normally flush-fitted in ceilings: using the flexible PC-200 housing allows them to be suspended from a single point fixing, either from a ceiling or in a space without a ceiling, where steelwork or a cable tray can provide the fixing. Alternatively, the adaptable PC-200 can be fixed directly to the ceiling via the 3 x M6 recessed threaded inserts.

TB MG Tile Bridges & Pre-install Mud Guards are available (P48)

CS-C6B & CS-C6W

6.5" In-Ceiling Speaker with a 200mm Metal Back Can



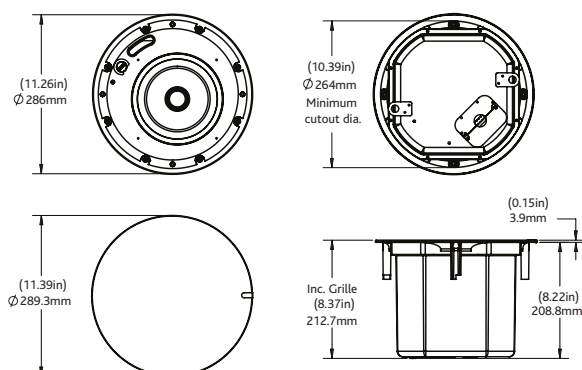
Round Grille
CS-8Grill-B
CS-8Grill-W

Square Grille
CS-8SQGRILL-B
CS-8SQGRILL-W

The Cloud CS-C6 is a 6.5 inch coaxial two way in-ceiling loudspeaker featuring exceptional intelligibility and musical performance. Using premium drivers and electronics, the CS-C6 offers high sensitivity, smooth frequency response, and excellent off axis performance. The 6.5 inch woofer incorporates a large magnet structure, a treated paper cone, and a butyl rubber surround for lasting, low distortion performance. The 1.0 inch tweeter is a silk soft dome with a phase plug to smoothly distribute the high frequency energy. The included 32 W transformer provides plenty of power for even high SPL applications. The 16 ohm impedance allows for easy low impedance daisy chaining.

The CS-C6 incorporates several innovative features that make it a truly remarkable speaker. The ZeroEdge™ grille is magnetically attached for easy installation, and features a completely seamless transition from grille to ceiling. The entire CS-C series of speakers uses the same diameter back can which simplifies installation, and inventory management with only one size hole to cut, one size grille to install, and one size tile bridge to bring to the job site.

Loudspeaker Dimensions

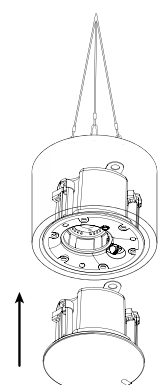


TB
MG Tile Bridges & Pre-install Mud Guards are available (P48)

Built for quality performance Cloud speakers are designed and tested to a superior standard by engineers who care and include a comprehensive 5-Year commercial warranty.

- Magnetic ZeroEdge™ grille with removable badge
- Easy inventory management with a single tile bridge and common grilles for the whole CS-C series
- Only one hole size to cut for all models within the CS-C series
- Premium drivers for exceptional sound quality and intelligibility
- Integrated high power transformer
- 16 ohm impedance for low impedance daisy chaining
- Low profile back can for installation into small ceiling voids
- Front mounted tap switch
- 4-pin quick connector for easy daisy-chaining and secure connections
- Available colours: black, white

PC200



The PC-200 is a pendant housing for this loudspeaker.

CS-C speakers are normally flush-fitted in ceilings; using the flexible PC-200 housing allows them to be suspended from a single point fixing, either from a ceiling or in a space without a ceiling, where steelwork or a cable tray can provide the fixing. Alternatively, the adaptable PC-200 can be fixed directly to the ceiling via the 3 x M6 recessed threaded inserts.

CS-C8B & CS-C8W

8" In-Ceiling Speaker with a 200mm Metal Back Can



Round Grille
CS-8Grill-B
CS-8Grill-W

Square Grille
CS-8SQGRILL-B
CS-8SQGRILL-W

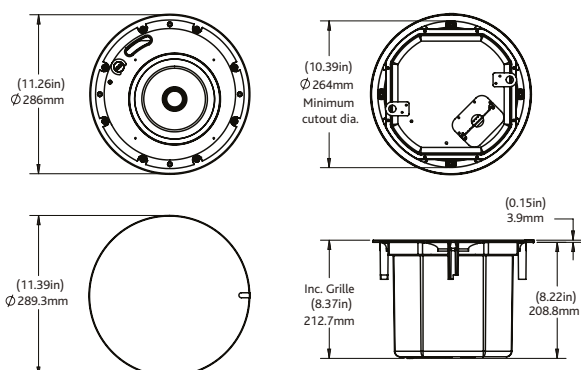
The Cloud CS-C8 is an 8 inch coaxial two way in-ceiling loudspeaker featuring exceptional intelligibility and musical performance. Using premium drivers and electronics, the CS-C8 offers high sensitivity, smooth frequency response, and excellent off axis performance. The 8.0 inch woofer incorporates a large magnet structure, a treated paper cone, and a butyl rubber surround for lasting, low distortion performance. The 1.0 inch tweeter is a silk soft dome with a phase plug to smoothly distribute the high frequency energy. The included 64 W transformer provides plenty of power for even high SPL applications. The 16 ohm impedance allows for easy low impedance daisy chaining.

The CS-C8 incorporates several innovative features that make it a truly remarkable speaker. The ZeroEdge™ grille is magnetically attached for easy installation, and features a completely seamless transition from grille to ceiling. The entire CS-C series of speakers uses the same diameter back can which simplifies installation, and inventory management with only one size hole to cut, one size grille to install, and one size tile bridge to bring to the job site.

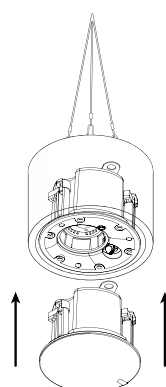
Built for quality performance Cloud speakers are designed and tested to a superior standard by engineers who care and include a comprehensive 5-Year commercial warranty.

- Magnetic ZeroEdge™ grille with removable badge
- Easy inventory management with a single tile bridge and common grilles for the whole CS-C series
- Only one hole size to cut for all models within the CS-C series
- Premium drivers for exceptional sound quality and intelligibility
- Integrated high power transformer with transformer bypass
- 16 ohm impedance for low impedance daisy chaining
- Low profile back can for installation into small ceiling voids
- Front mounted tap switch
- 4-pin quick connector for easy daisy-chaining and secure connections
- Available colours: black, white

Loudspeaker Dimensions



PC200



The PC-200 is a pendant housing for this loudspeaker.

CS-C speakers are normally flush-fitted in ceilings: using the flexible PC-200 housing allows them to be suspended from a single point fixing, either from a ceiling or in a space without a ceiling, where steelwork or a cable tray can provide the fixing. Alternatively, the adaptable PC-200 can be fixed directly to the ceiling via the 3 x M6 recessed threaded inserts.

TB MG Tile Bridges & Pre-install Mud Guards are available (P48)

CS-CSUB8B & CS-CSUB8W

8" In-Ceiling Subwoofer with a 200mm Metal Back Can



Round Grille
CS-8Grill-B
CS-8Grill-W

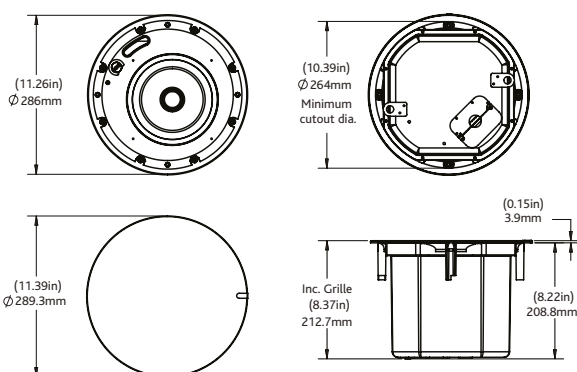
Square Grille
CS-8SQGRILL-B
CS-8SQGRILL-W

Cloud's CS-CSUB8 is an 8-inch in ceiling subwoofers designed perfectly for any application. Excellent low frequency extension, ZeroEdge™ magnetic speaker grilles available in black or white, accessible high-impedance or low impedance switch settings and removable logos ensure Cloud speakers can be used discretely in almost any venue.

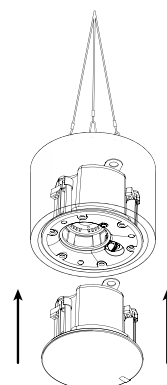
Designed exclusively for Cloud Electronics in the USA by a specialist team of speaker design engineers, the new CS-C Series speakers are extremely installer friendly and are tuned to complement the Cloud range of amplifiers and mixer amplifiers. Built for quality performance Cloud speakers are designed and tested to a superior standard by engineers who care and include a comprehensive 5-Year commercial warranty.

- Magnetic ZeroEdge™ grille with removable badge
- Easy inventory management with a single tile bridge and common grilles for the whole CS-C series
- Only one hole size to cut for all models within the CS-C series
- Premium drivers and electronics for exceptional sound quality and intelligibility
- Integrated high power transformer with transformer bypass
- Integrated back can
- 4-pin Euroblock connectors for easy daisy-chaining and secure connections
- Available colours: black, white

Loudspeaker Dimensions



PC200



The PC-200 is a pendant housing for this loudspeaker.

CS-C speakers are normally flush-fitted in ceilings: using the flexible PC-200 housing allows them to be suspended from a single point fixing, either from a ceiling or in a space without a ceiling, where steelwork or a cable tray can provide the fixing. Alternatively, the adaptable PC-200 can be fixed directly to the ceiling via the 3 x M6 recessed threaded inserts.

CS-S3B & CS-S3W

3" Surface Mounted Speaker with Omnidirectional Mounting



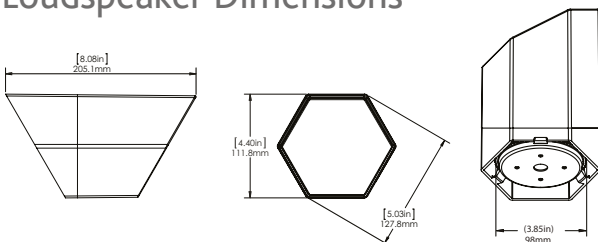
The Cloud CS-S3 is a 3 inch full range surface mount loudspeaker featuring exceptional intelligibility and musical performance. Using a premium woofer and crossover electronics, the CS-S3 offers clear intelligibility, smooth frequency response, and excellent off axis performance. The 3.0 inch woofer incorporates a large magnet structure, a polypropylene cone, and a butyl rubber surround for lasting, low distortion performance, and exceptional weather resistance. The included 16 W transformer provides plenty of power for background music and voice messaging applications. The 16 ohm impedance allows for easy low impedance daisy chaining.

The CS-S3 incorporates several innovative features that make it a truly remarkable speaker. The omnidirectional mounting system allows the installer to easily aim the speaker at any point within the space without any tools, and with no bulky brackets. The round surface mount bracket mounts easily to any surface with just two screws, and is completely hidden when the speaker is snapped on. The distinctive styling makes the speaker look intentional in all orientations. When coupled with the CS-CSUB8 or CS-SSUB8, the CS-C3 and CS-S3 offer a premium business music system with exceptional performance and aesthetics in a small package.

Built for quality performance Cloud speakers are designed and tested to a superior standard by engineers who care and include a comprehensive 5-Year commercial warranty.

- Premium driver and electronics for exceptional sound quality and intelligibility
- Integrated high power transformer
- Integrated high power transformer with bypass
- 16 ohm for low impedance daisy chaining
- Striking architectural aesthetic
- Omnidirectional, tool free installation and aiming

Loudspeaker Dimensions



Omnidirectional Mount



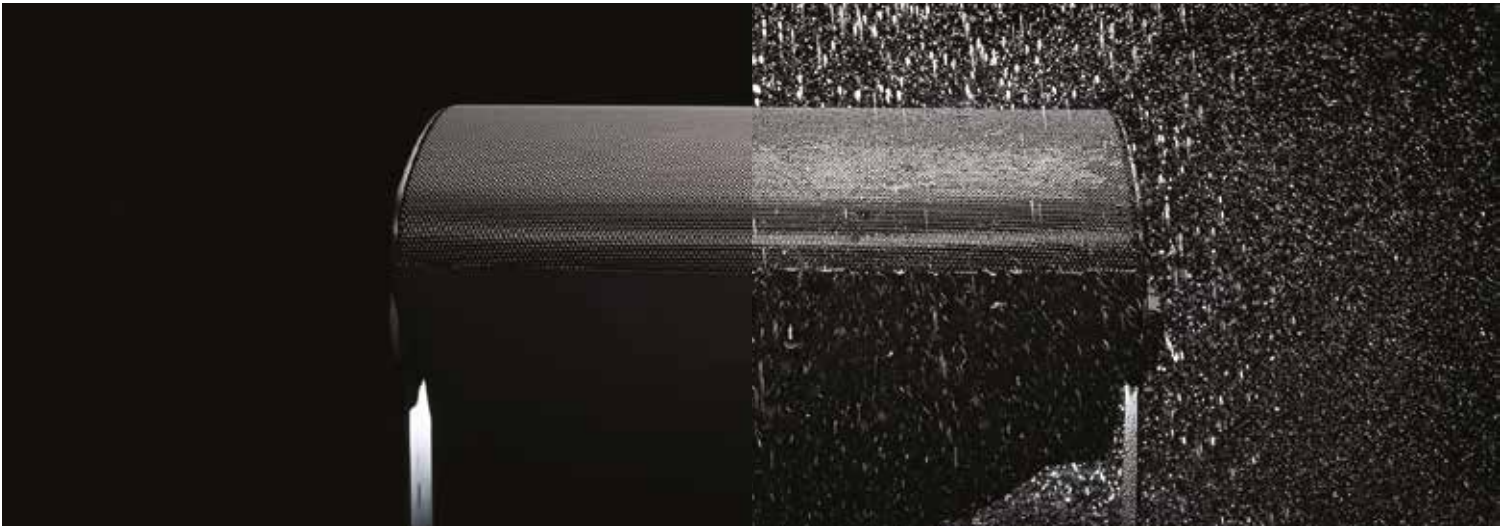
Rear View



Flush Mounting Ring

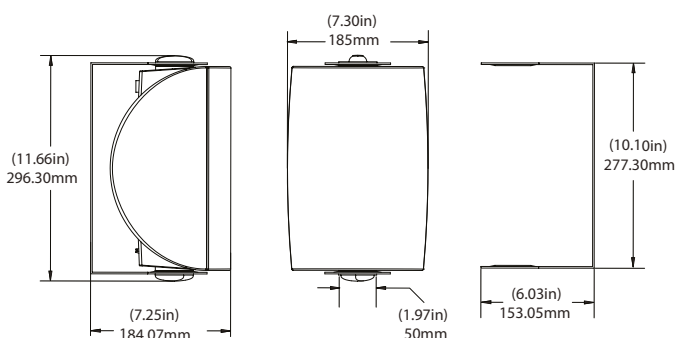
CS-S4B & CS-S4W

4" Surface Mounted Speaker



The Cloud CS-S4 is a 4.0 inch coaxial two way surface mount loudspeaker featuring exceptional intelligibility and musical performance. Suitable for internal or outdoor use, the CS-S4 conforms to IP rating IP55 (protection from limited dust ingress, and low pressure water jets from any direction) when fitted with the supplied port plug. Using premium drivers and electronics, the CS-S4 offers high sensitivity, smooth frequency response, and excellent off axis performance. The 4.0 inch woofer incorporates a large magnet structure, a polypropylene cone, and a butyl rubber surround for lasting, low distortion performance. The 19mm (0,75 in) soft dome tweeter contributes to the smooth distribution of off axis HF energy. The included 20 W transformer provides plenty of power for background to foreground applications. The 16 ohm impedance allows for easy low impedance daisy chaining.

Loudspeaker Dimensions



Built for quality performance Cloud speakers are designed and tested to a superior standard by engineers who care and include a comprehensive 5-Year commercial warranty.

- Easy access front mounted tap switch
- Premium drivers for exceptional sound quality and intelligibility
- Integrated high power transformer with bypass
- 16 ohm for low impedance daisy chaining
- Designed to mount vertically and horizontally
- Coaxial drivers for optimal off axis performance
- 4-pin Euroblock connectors
- Corrosion resistant Aluminium grille and U-bracket

Rear Image



CS-BM46B

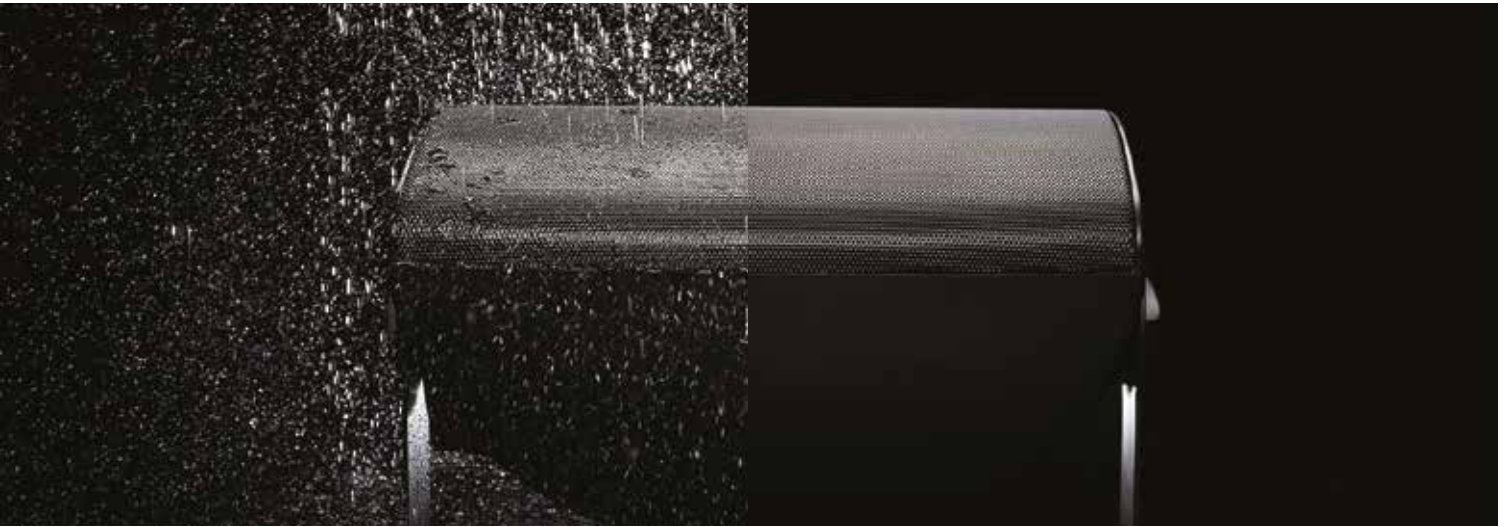
CS-BM46W

Ball Mount Brackets

These optional Brackets allow this speaker to be directionally mounted. The Ball mount ensures that the speaker can be positioned and adjusted in the optimum position for every application.

CS-S6B & CS-S6W

6.5" Surface Mounted Speaker

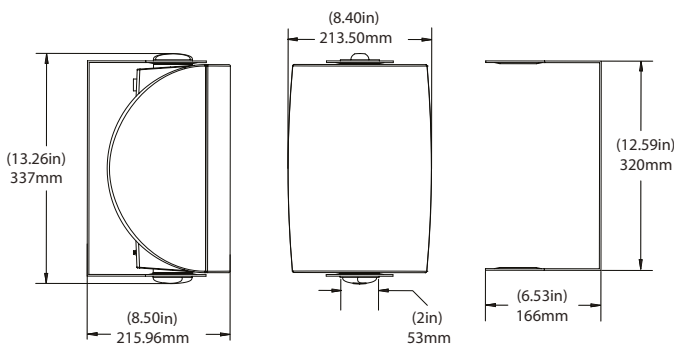


The Cloud CS-S6 is a 6.5 inch coaxial two way surface mount loudspeaker featuring exceptional intelligibility and musical performance. Suitable for internal or outdoor use, the CS-S6 conforms to IP rating IP55 (protection from limited dust ingress, and low pressure water jets from any direction) when fitted with the supplied port plug. Using premium drivers and electronics, the CS-S6 offers high sensitivity, smooth frequency response, and excellent off axis performance. The 6.5 inch woofer incorporates a large magnet structure, a polypropylene cone, and a butyl rubber surround for lasting, low distortion performance. The 1.0 inch (25.4 mm) tweeter is a silk soft dome with a phase plug to smoothly distribute the high frequency energy. The included 32 W transformer provides plenty of power for even high SPL applications. The 16 ohm impedance allows for easy low impedance daisy chaining.

Built for quality performance Cloud speakers are designed and tested to a superior standard by engineers who care and include a comprehensive 5-Year commercial warranty.

- Easy access front mounted tap switch
- Premium drivers for exceptional sound quality and intelligibility
- Integrated high power transformer with bypass
- 16 ohm for low impedance daisy chaining
- Designed to mount vertically and horizontally
- Coaxial drivers for optimal off axis performance
- 4-pin Euroblock connectors
- Corrosion resistant Aluminium grille and U-bracket

Loudspeaker Dimensions



Rear Image



Ball Mount Brackets

These optional Brackets allow this speaker to be directionally mounted. The Ball mount ensures that the speaker can be positioned and adjusted in the optimum position for every application.



CS-BM46B

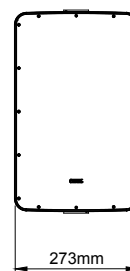
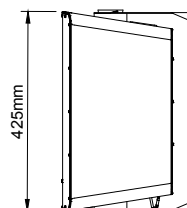
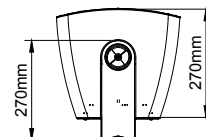
CS-BM46W

CS-S8B & CS-S8W

8" Surface Mounted Speaker



Loudspeaker Dimensions



Introducing the new Cloud 8" surface mount speaker. This custom designed & tooled speaker is made of LLDPE featuring a modular and interchangeable rear panel. This means that the single cabinet design supports either Passive (Low-Z), 100v Line (High-Z), Active Analogue and Active Dante® model variants.

Acoustically, the speaker has been designed to be a "front of house" sound, optimally tuned for foreground / background music and musical instrument applications.

Each speaker features a custom surface mount bracket, Male Euroblock, Safety tie off kit, Pole Mount Port as standard. Options include a weatherproof IP Cover. Available in Black and White.

The model variants are as follows:

CS-S8W & CS-S8B (Passive), CS-S8TW & CS-S8TB (100v), CS-S8AW & CS-S8AB (Active), CS-S8ADW & CS-S8ADB (Active Dante®)

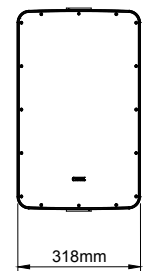
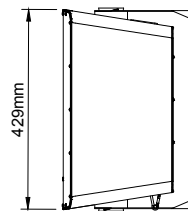
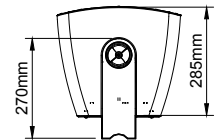
| | CS-S8 | CS-S8T | CS-S8A | CS-S8AD |
|---------------------------------|--|--|--|--|
| Frequency Response (f10) | 60-20k | 60-20k | 60-20k | 60-20k |
| Impedance | 8 ohm | 8 ohm / 70V 100V | 8 ohm | 8 ohm |
| Crossover Frequency | 1900Hz | 1900Hz | 1900Hz | 1900Hz |
| Sensitivity (1w/1m) | 92dB | 92dB | 92dB | 92dB |
| Power Handling | 300W | 300W | Internal amp- 245w woofer, 175w tweeter | Internal amp- 245w woofer, 175w tweeter |
| Max SPL | 116dB | 116dB | 116dB | 116dB |
| Average coverage angle (2k-10k) | 100° | 100° | 100° | 100° |
| Amplifier | n/a | n/a | Class D | Class D |
| Transformer taps (100v) | n/a | 64, 32, 16w | n/a | n/a |
| Tweeter | 1" exit compression driver | 1" exit compression driver | 1" exit compression driver | 1" exit compression driver |
| Woofer | 8.0" treated paper with treated cloth surround | 8.0" treated paper with treated cloth surround | 8.0" treated paper with treated cloth surround | 8.0" treated paper with treated cloth surround |

CS-S10B & CS-S10W

10" Surface Mounted Speaker



Loudspeaker Dimensions



Introducing the new Cloud 10" surface mount speaker. This custom designed & tooled speaker is made of LLDPE featuring a modular and interchangeable rear panel. This means that the single cabinet design supports either Passive (Low-Z), 100v Line (High-Z), Active Analogue and Active Dante® model variants.

Acoustically, the speaker has been designed to be a "front of house" sound, optimally tuned for foreground / background music and musical instrument applications.

Each speaker features a custom surface mount bracket, Male Euroblock, Safety tie off kit, Pole Mount Port as standard. Options include a weatherproof IP Cover. Available in Black and White.

The model variants are as follows:

CS-S10W & CS-S10B (Passive), CS-S10TW & CS-S10TB (100v), CS-S10AW & CS-S10AB (Active), CS-S10ADW & CS-S10ADB (Active Dante®)

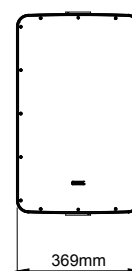
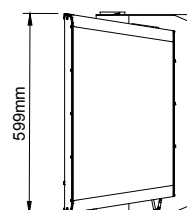
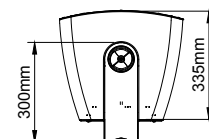
| | CS-S10 | CS-S10T | CS-S10A | CS-S10AD |
|---------------------------------|---|---|---|---|
| Frequency Response (f10) | 55-20k | 55-20k | 55-20k | 55-20k |
| Impedance | 8 ohm | 8 ohm / 70V 100V | 8 ohm | 8 ohm |
| Crossover Frequency | 1600Hz | 1600Hz | 1600Hz | 1600Hz |
| Sensitivity (1w/1m) | 93dB | 93dB | 93dB | 93dB |
| Power Handling | 375W | 375W | Internal amp- 245w woofer, 175w tweeter | Internal amp- 245w woofer, 175w tweeter |
| Max SPL | 118.5dB | 118.5dB | 117dB | 117dB |
| Average coverage angle (2k-10k) | 95° | 95° | 95° | 95° |
| Amplifier | n/a | n/a | Class D | Class D |
| Transformer taps (100v) | n/a | 100, 50, 25w | n/a | n/a |
| Tweeter | 1" exit compression driver | 1" exit compression driver | 1" exit compression driver | 1" exit compression driver |
| Woofer | 10" treated paper with treated cloth surround | 10" treated paper with treated cloth surround | 10" treated paper with treated cloth surround | 10" treated paper with treated cloth surround |

CS-S12B & CS-S12W

12" Surface Mounted Speaker



Loudspeaker Dimensions



Introducing the new Cloud 12" surface mount speaker. This custom designed & tooled speaker is made of LLDPE featuring a modular and interchangeable rear panel. This means that the single cabinet design supports either Passive (Low-Z), 100v Line (High-Z), Active Analogue and Active Dante® model variants.

Acoustically, the speaker has been designed to be a "front of house" sound, optimally tuned for foreground / background music and musical instrument applications.

Each speaker features a custom surface mount bracket, Male Euroblock, Safety tie off kit, Pole Mount Port as standard. Options include a weatherproof IP Cover. Available in Black and White.

The model variants are as follows:

CS-S12W & CS-S12B (Passive), CS-S12TW & CS-S12TB (100v), CS-S12AW & CS-S12AB (Active), CS-S12ADW & CS-S12ADB (Active Dante®)

| | CS-S12 | CS-S12T | CS-S12A | CS-S12AD |
|---------------------------------|---|---|---|---|
| Frequency Response (f10) | 50-20k | 50-20k | 50-20k | 50-20k |
| Impedance | 8 ohm | 8 ohm / 70V 100V | 8 ohm | 8 ohm |
| Crossover Frequency | 1400Hz | 1400Hz | 1400Hz | 1400Hz |
| Sensitivity (1w/1m) | 96dB | 96dB | 96dB | 96dB |
| Power Handling | 450W | 450W | Internal amp- 245w woofer, 175w tweeter | Internal amp- 245w woofer, 175w tweeter |
| Max SPL | 122dB | 122dB | 120dB | 120dB |
| Average coverage angle (2k-10k) | 90° | 90° | 90° | 90° |
| Amplifier | n/a | n/a | Class D | Class D |
| Transformer taps (100v) | n/a | 150, 75, 37.5w | n/a | n/a |
| Tweeter | 1" exit compression driver | 1" exit compression driver | 1" exit compression driver | 1" exit compression driver |
| Woofer | 12" treated paper with treated cloth surround | 12" treated paper with treated cloth surround | 12" treated paper with treated cloth surround | 12" treated paper with treated cloth surround |

CS-SUB8B & CS-SUB8W

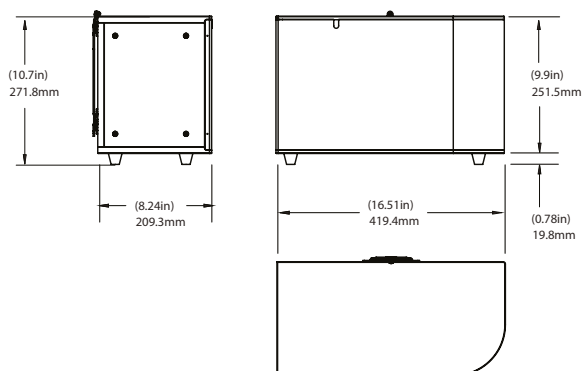
8" Surface Mounted Subwoofer



The Cloud CS-SUB8 is an 8 inch passive subwoofer featuring powerful bass response in a small package. Using a premium woofer and first order crossover network, the CS-SUB8 adds punch and low end reinforcement to Cloud's line of full range speakers. The 8.0 inch woofer incorporates a large magnet structure, treated paper cone, and long throw butyl rubber surround for lasting, low distortion performance. The included 100 W transformer provides plenty of power for background to foreground music applications.

The CS-SUB8 incorporates several features that make it a premium, versatile subwoofer. The low profile cabinet is easy to hide in any installation, but the architectural aesthetic makes it desirable to show. The CS-SUB8 ships with rubber feet installed for floor or shelf mounting, and includes a versatile surface mount bracket that can securely mount the speaker in either the vertical or horizontal orientation. It can also be flown via the threaded inserts on the side or bottom. The CS-SUB8 pairs well with the CS-S3 and CS-C3 to make a complete, premium business music system.

Loudspeaker Dimensions



Built for quality performance Cloud speakers are designed and tested to a superior standard by engineers who care and include a comprehensive 5-Year commercial warranty.

- Premium driver for exceptional sound quality and intelligibility
- Integrated high power transformer
- Striking architectural aesthetic
- Versatile mounting using included rubber feet, or included surface mount bracket
- Optional flying using forged eye bolts and cables (sold separately)

Without Grille



Digitally Controlled Mixers

Cloud's digitally controlled zone mixer combines traditional "installer-friendly" analogue I/O and signal path, with the flexibility and adaptability of digital control.



DCM1 : Digitally Controlled Zone Mixer

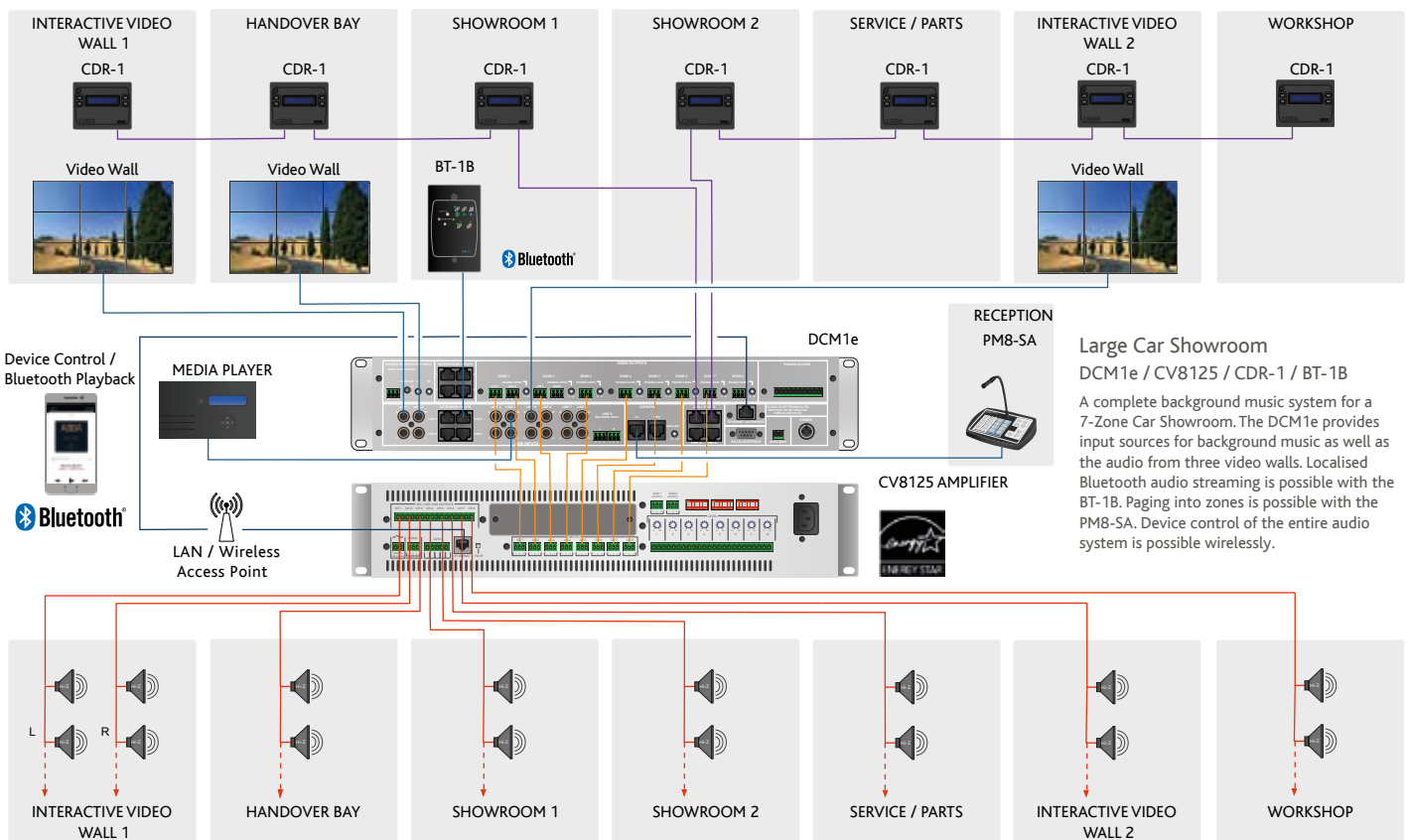
8 stereo line inputs, 4 ME-1 inputs plus paging mic, 8 balanced outputs (2 stereo plus 6 mono)



General Description

- 8 stereo line inputs (1 balanced)
- 8 balanced line outputs (2 stereo + 6 mono)
- 4 dedicated ports for optional remote line input modules
- 4 dedicated ports for optional remote mic input modules
- Mic paging to all zones with fully programmable override logic
- Separate analogue paging mic input with contact closure zone selection
- Separate RJ45 interface for PM Series digital paging microphones
- Supports multiple CDR-1 Remote Controls (optional) in any wiring configuration
- CDR-1 provides local control of source, level, EQ and group enable
- 2 x 16 character LCD dot-matrix display (both DCM-1 and CDR-1)
- 4 definable zone groups
- Any line input may have priority in any zone; operation also configurable per-zone
- Code-protected "Installer" mode (both DCM 1 and CDR-1) prevents user access to configuration menus
- Inputs, zones and groups can be named
- RS232 interface for control by third-party control systems
- Front-panel LEDs confirm remote access
- Optional equaliser modules for Bose®, Amina and Active Audio loudspeakers can be fitted
- No PC required
- Multiple DCM1's may be cascaded for larger systems
- External Music Mute input for interfacing with emergency systems
- Any input (mic or line) may be assigned as Emergency Input, overriding Music Mute
- 2U 19" rack-mounting unit

Application Diagram



CLOUD PRODUCTS DCM1e CV8125 CDR-1 BT-1B

DCM1e : Ethernet Digitally Controlled Zone Mixer

8 stereo line inputs, 4 ME-1 inputs plus paging mic, 8 balanced outputs (2 stereo plus 6 mono)

The DCM1e is a new Ethernet version of the popular DCM1 Digital Control Zone Mixer. The addition of an Ethernet port on the rear panel of the new DCM1e allows its in-built Ethernet web-server to be connected via an RJ-45 socket to an independent or existing wireless router.

This feature means the new DCM1e can be configured and controlled remotely by any mobile device or PC connected to the network.

Using the web browser of any mobile End Users have "limited installer defined" controls via simple and intuitive interface pages. Installers have administrator status via "Configuration Options" which are password protected.



General Description

- 8 Stereo Line Inputs (1 Balanced)
- Balanced Line Outputs (2 Stereo + 6 Mono)
- Dedicated RJ-45 Ports for optional Line Inputs (LE-1)
- 4 Dedicated RJ-45 Ports for optional Mic Input Sockets (ME-1)
- Microphone Paging to all or any zone with fully programmable override logic
- Separate analogue paging Microphone Input with analogue contact closure selection
- Configurable remote Controls (CDR-1)
- Configurable Line Priority by Zone
- RS-232 Interface for Crestron/Other Control
- Ethernet Connection Socket and Web Server for PC, Tablet & Mobile Device Control
- Accepts Bose®, Amina and Active Audio EQ cards

Mobile Graphics



Menu Screen



Music Screen



Group Screen



Security Settings Screen

Configuration / Set Up





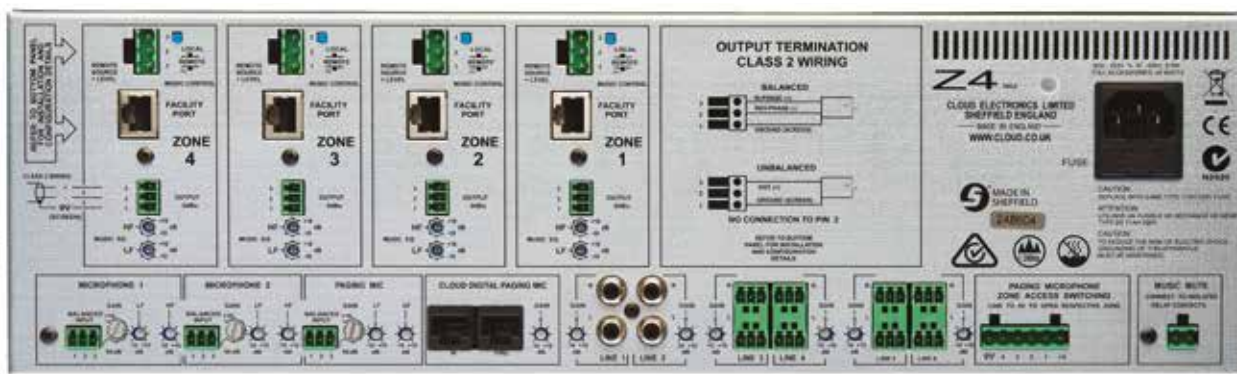
Analogue Mixers

Cloud's analogue Mixers are versatile analogue single zone / multi zone audio mixers known for performance, features, flexibility and reliability.



Z4MK4 : Four Zone Venue Mixer

6 music inputs, 2 mic inputs + digital paging interface, 4 x facility inputs, 4 output zones



General Description

- Four zone mono mixer
- Digital paging interface for PM Paging Mics with IN/THRU
- Digital Switch Mode Power Supply (85 - 254v)
- Line 1-6, 2x unbalanced + 4x balanced (3.5mm Phoenix)
- Line 6 priority, can be selected on a zone by zone basis
- Facility input available on all zones
- Accepts active modules DM-1 and LM-2
- Music level and source selection with remote control RSL-6 (or RL-1 for remote level only) per zone

- 2 mic inputs with volume controls on front panel
- Input for paging mic with priority and zone selection
- Separate EQ for mic and music
- All mics have priority over music
- Optional equaliser modules for Bose®, Amina and Active Audio loudspeakers can be fitted to any output zone

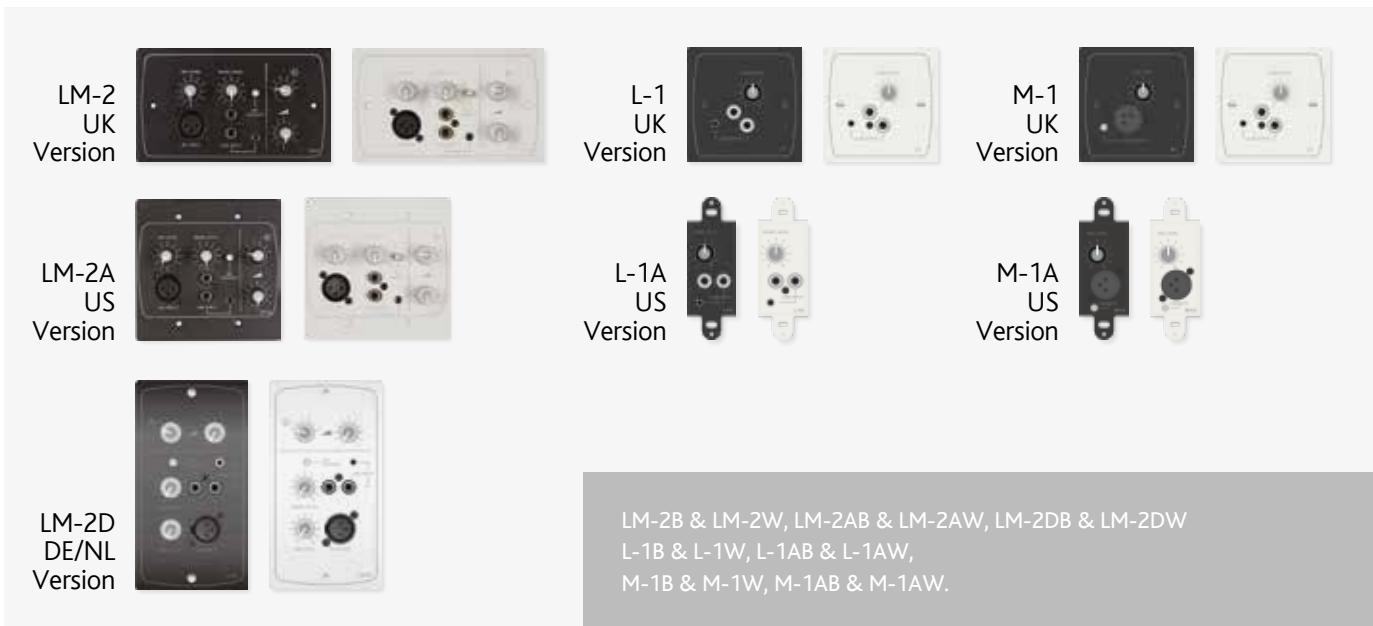
Accessories
(see pages 47/48 for details)

B C E F G I J O



Z8MK4 : Eight Zone Venue Mixer

6 music inputs, 2 mic inputs plus digital paging interface, 8 x facility inputs, 8 output zones



General Description

- Eight zone venue mixer
- Digital paging interface for PM Paging Mics with IN/THRU
- Digital Switch Mode Power Supply (85 - 254v)
- Line 1-6, 2x unbalanced + 4x balanced (3.5mm Phoenix)
- Line 6 priority, can be selected on a zone by zone basis
- Facility input available on all zones
- Accepts active modules DM-1 and LM-2
- 2 mic inputs with volume controls on front panel

- Music level and source selection with remote control RSL-6 (or RL-1 for remote level only) per zone
- Input for paging mic with priority and zone selection
- Separate EQ for mic and music
- All mics have priority over music
- Optional equaliser modules for Bose®, Amina and Active Audio loudspeakers can be fitted to any output zone

Accessories
(see pages 47/48 for details)



CX163 : 2 Zone Stereo Mixer with Mono Utility Output

6 stereo line inputs, 1 mic input, 2 stereo output zones, mono utility output



General Description

- Two zone stereo mixer with mono utility output
- Both stereo zones can be configured to run as mono
- Utility output is constant 0dB
- Utility music source selectable via internal jumper
- 6 stereo line inputs
- Line 6 priority over other input sources in zone 1 only
- Remote music mute
- Microphone access contacts for paging to all 3 zones
- 100Hz high pass filter on all microphone inputs
- Two band microphone EQ
- Remote level control in each zone using RL-1
- Front panel controls give microphone level, music source select and volume
- Optional equaliser modules for Bose®, Amina and Active Audio loudspeakers can be fitted to either stereo output

Accessories
(see pages 47/48 for details)



CX261 : MP3 Zone Mixer

6 stereo line inputs, 2 mic input, 1 stereo output zone, music on hold



General Description

- 1 stereo zone
- 6 stereo line inputs
- Line 6 priority over other input sources
- Remote music mute
- Paging microphone access
- Microphone over music priority
- Front MP3 Input socket
- Music on hold output
- Two band microphone EQ
- 100Hz high pass filter on all microphone inputs
- Two band music EQ on the rear panel
- Front panel gives Mic 1 level, Mic 2 level, music level and music source selection controls
- Digital Switch Mode Power Supply (85 - 254v)
- Optional equaliser modules for Bose®, Amina and Active Audio loudspeakers can be fitted to either stereo output

Accessories
(see pages 47/48 for details)



CX263 : 3 Zone Mixer

6 stereo line inputs, 2 mic input, 3 output zones (1 stereo 2 mono)



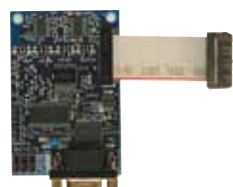
General Description

- 1 stereo zone and 2 mono zones
- 6 stereo line inputs
- Line 6 priority over other input sources
- Remote music mute
- Paging microphone access for Mic 1 only
- Microphone over music priority
- Two band microphone EQ behind front panel fascia
- 100Hz high pass filter on all microphone inputs

Without security cover

- Two band music EQ per zone on the rear panel
- Front panel gives Mic 1 level, Mic 2 level, music level and music source selection controls
- Optional equaliser modules for Bose®, Amina and Active Audio loudspeakers can be fitted to any output zone
- Optional CDI-S200 serial interface module using RS232 to control Music & Mic Muting (not installed in above photo)

Accessories
(see pages 47/48 for details)



CDI-S200 Optional RS232 Module Card for CX263 Zone Mixer

The CDI-S200 is an optional module that fits inside the CX263 3Zone Stereo/Mono Mixer to allow RS-232 Serial Control of:

- Music Source and Level Control for Each Independent Zone
- Microphone 1 Paging Access
- Individual Microphone Mute & Total Music Mute
- General RS232 3rd Party Controllers such as CRESTRON™

CX462 : Audio System Controller

6 music inputs (1 stereo output), 4 mic inputs (1 mono output)



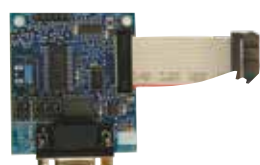
General Description

- Independent music and microphone sections
- 6 line inputs with preset gain controls (music section)
- Line 6 can be configured for priority (music section)
- Music level and source selection with remote control
- HF and LF equalisation (music section)
- Mic signals can be routed to music section
- Individual HF and LF controls (microphone section)
- Single parametric equaliser (microphone section)

Without security cover

- 150 Hz High pass filter
- Selectable priority for Mic 1
- Optional CDI-S100 serial interface module using RS232 to control Music & Mic Muting (shown above installed)
- Optional equaliser modules for Bose®, Amina and Active Audio loudspeakers can be fitted to any output zone

Accessories
(see pages 47/48 for details)



CDI-S100 Optional RS232 Module Card for CX462 Zone Mixer

The CDI-S100 is an optional module that fits inside the CX462 Audio System Controller to allow RS-232 Serial Control of:

- Music Source Select
- Level Control and Muting
- Individual Microphone Muting
- Master Microphone Level and Muting
- General RS232 3rd Party Controllers such as CRESTRON™

Mixer Amplifiers

Cloud's Mixer Amplifiers are integrated, analogue audio mixer amplifier. It combines simple control of background music with versatile microphone paging and power amplification in a single unit.



46-120MK2 : Four Zone Integrated Mixer Amplifier

6 music inputs, 2 mic inputs (1 paging), 2 Facility inputs, 2 aux. output, 4 x 120W Lo-/Hi-Z amplifiers



Accessories
(see pages 47/48 for details)



General Description

- 4 x 120W or 4 x 240W Class-D Output per zone (4Ω/8Ω/70V/100V). Power Sharing on 4x120W Model in 70/100V modes.
- Limiters on each Zone plus Thermal/Short Protection.
- 6 Stereo Line-Inputs (4 Balanced).
- 2 Microphone Inputs with Priority Option.
- Utility Output with Mic & Music Gain Control.
- Remote Music Level and Source Selection
- 2 x Facility Inputs for Zone1 (Z1&Z3 or ALL) & Zone2 (Z2&Z4).
- Ethernet & RS232 Port.
- 2 Aux Outputs, Zone assignable (Z1 + Z2).
- Auto Stand-By Mode Function.
- Digital Paging Interface for Digital PM Paging Microphones.
- Remote Music Mute (NO or NC operation)for Fire Alarm Interface.
- Efficient, Universal Power Supply.

46-240 : Four Zone Integrated Mixer Amplifier

6 music inputs, 2 mic inputs (1 paging), 2 Facility inputs, 2 aux. output, 4 x 240W Lo-/Hi-Z amplifiers



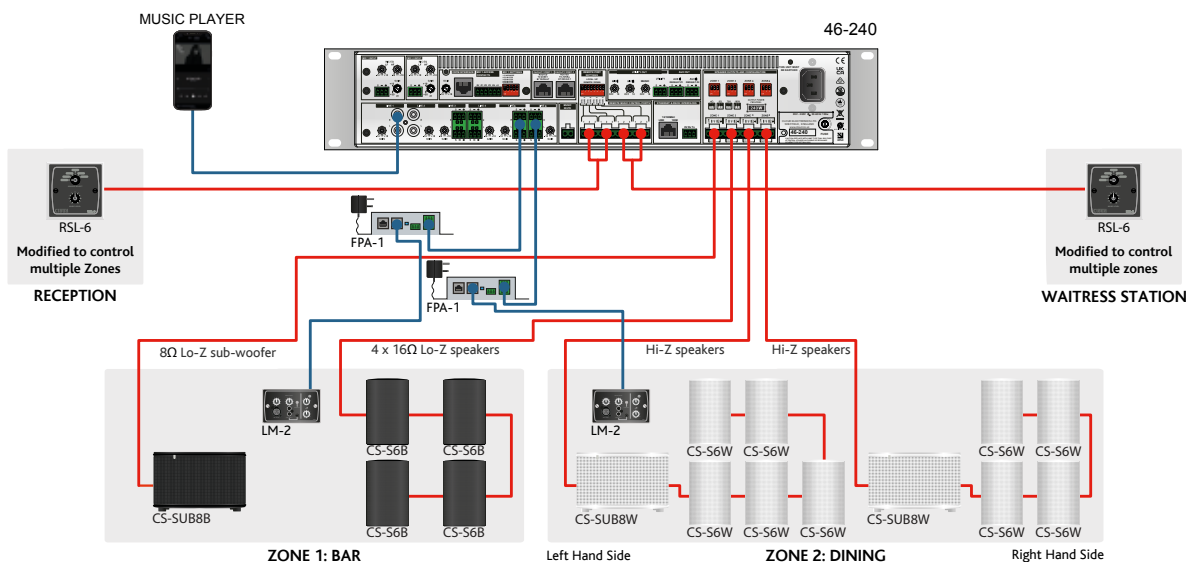
Accessories
(see pages 47/48 for details)



General Description

- 4 x 120W or 4 x 240W Class-D Output per zone (4Ω/8Ω/70V/100V). Power Sharing on 4x120W Model in 70/100V modes.
- Limiters on each Zone plus Thermal/Short Protection.
- 6 Stereo Line-Inputs (4 Balanced).
- 2 Microphone Inputs with Priority Option.
- Utility Output with Mic & Music Gain Control.
- Remote Music Level and Source Selection
- 2 x Facility Inputs for Zone1 (Z1&Z3 or ALL) & Zone2 (Z2&Z4).
- Ethernet & RS232 Port.
- 2 Aux Outputs, Zone assignable (Z1 + Z2).
- Auto Stand-By Mode Function.
- Digital Paging Interface for Digital PM Paging Microphones.
- Remote Music Mute (NO or NC operation)for Fire Alarm Interface.
- Efficient, Universal Power Supply.

Application Diagram





46-80 : Four Zone Integrated Mixer Amplifier

6 music inputs, 2 mic inputs (1 paging), 1 facility input plus 1 aux. output, 4 x 80W@4Ω amplifiers



Accessories
(see pages 47/48 for details)



General Description

- Four zone mixer/amplifier
- 4 x Class D 80W amplifiers with limiters on each zone and Thermal & Short Protection
- RS232 interface for control by third-party control systems
- 2 Mic inputs, one with analogue paging
- Line 1-6, 2x unbalanced + 4x balanced (3.5mm Phoenix)
- Low impedance and 100v/70v variants.
- Digital paging interface for PM Paging Mics
- Mic 1 priority over Mic 2
- Line 6 input priority (zone 1 only or global)
- Music level and source selection with remote control RSL-6 (or RL-1: level only)
- Facility input (zone 1 only) for active modules LM-2/BT-1
- 2x Auxiliary balanced line output
- 1x Utility / Loop output with independent line mic controls and music content selection
- Routing/slaving feature to allow duplication of zones on amplifier channels
- Remote mute for Fire Alarm interface
- Installer settings behind anti-tamper panel

46-80T : Four Zone Integrated Mixer Amplifier

6 music inputs, 2 mic inputs (1 paging), 1 facility input plus 1 aux. output, 4 x 80W@70V/100V line amplifiers



Accessories
(see pages 47/48 for details)



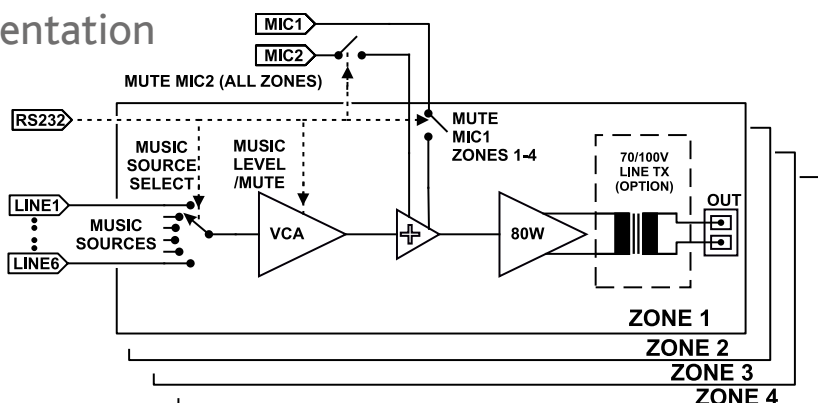
General Description

- Four zone mixer/amplifier
- 4 x Class D 80W@70V/100V line amplifiers with limiters on each zone and Thermal & Short Protection
- RS232 interface for control by third-party control systems
- 2 Mic inputs, one with analogue paging
- Line 1-6, 2x unbalanced + 4x balanced (3.5mm Phoenix)
- Digital paging interface for PM Paging Mics
- Mic 1 priority over Mic 2
- Line 6 input priority (zone 1 only or global)
- Music level and source selection with remote control RSL-6 (or RL-1: level only)
- Facility input (zone 1 only) for active modules LM-2/BT-1
- 2x Auxiliary balanced line output
- 1x Utility / Loop output with independent line mic controls and music content selection
- Routing/slaving feature to allow duplication of zones on amplifier channels
- Remote mute for Fire Alarm interface
- Installer settings behind anti-tamper panel

46-80/46-80T RS232 Implementation (Simplified Diagram)

A 3-PIN port is provided on 46-80 and 46-80T to allow remote control by RS-232. Implemented features are:

- Zone Music Level: Up/Down, Set to absolute level
- Zone Music Source: Up/Down, Set to absolute Source
- Global Music Mute
- Mic 1 Mute in Zone 1-4
- Mic 2 Mute in all zones



24-120 : Two Zone Mixer Amplifier

4 music inputs, 1 mic or paging mic input, 2 x 120W(70v/100v) or 2 x 120w(4Ω/8Ω)



Accessories
(see pages 47/48 for details)



General Description

- Two zone mixer/amplifier
- 2 x transformer-less Class-D 120W amplifiers with limiters on each zone plus Thermal/Short Protection
- Two zone power sharing (24-120 only)
- 4 Line inputs, 2x unbalanced/ 2x balanced
- 1 Mic input with analogue paging options
- Integrated chime triggered by access control
- 100Hz dedicated high-pass filter on Microphone input
- Phantom power selectable by internal jumper
- Music level and source selection via RSL-4 & RSL-6
- Facility input (Zone 1 or Both) for active modules LM-2/BT-1
- RS232 control interface
- Line 4 priority
- Mic over Music input priority
- Separate EQ for music and mic signals
- 2 x Auxiliary balanced line outputs
- 1 x Utility / Loop output with independent line & mic controls with music content selection
- Remote Music Mute configurable for NO or NC operation
- Selectable speaker output impedance (4Ω/8Ω/70v/100v)
- Efficient, Universal Power Supply
- Variable Speed Fan Cooling

24-240 : Two Zone Mixer Amplifier

4 music inputs, 1 mic or paging mic input, 2 x 240W(70v/100v) or 2 x 240w(4Ω/8Ω)



Accessories
(see pages 47/48 for details)



General Description

- Two zone mixer/amplifier
- 2 x transformer-less Class-D 240W amplifiers with limiters on each zone plus Thermal/Short Protection
- 4 Line inputs, 2x unbalanced/ 2x balanced
- 1 Mic input with analogue paging options
- Integrated chime triggered by access control
- 100Hz dedicated high-pass filter on Microphone input
- Phantom power selectable by internal jumper
- Music level and source selection via RSL-4 & RSL-6
- Facility input (Zone 1 or Both) for active modules LM-2/BT-1
- RS232 control interface
- Line 4 priority
- Mic over Music input priority
- Separate EQ for music and mic signals
- 2 x Auxiliary balanced line outputs
- 1 x Utility / Loop output with independent line & mic controls with music content selection
- Remote Music Mute configurable for NO or NC operation
- Selectable speaker output impedance (4Ω/8Ω/70v/100v)
- Efficient, Universal Power Supply
- Variable Speed Fan Cooling

MA40 : Mini Amplifier

2 music, 1 mic input, 40W @ 4Ω



General Description

- 1 x 40W 4Ω Output (<1% THD @ Full Output)
- Line 1 over Line 2 Priority
- Microphone Input with EQ and Input Gain
- Music EQ Plus Optional EQ Card
- Microphone Output Level Control + Priority
- Music Mute
- RL-1 Remote Control Interface
- Dynamic Clip, Thermal & Short Protection
- 12-24V Power Supply
- Variants: EK, AUS, NA
- Energy Saving APD Feature

Accessories

(see pages 47/48 for details)



MA40F : Mini Amplifier

2 music, 1 mic input, 40W @ 4Ω, facility port input



General Description

- 1 x 40W 4Ω Output (<1% THD @ Full Power)
- Line 1 over Line 2 Priority
- Microphone Input and Input Gain
- Music EQ Plus Optional EQ Card
- 70 / 100V Line Input
- Paging Microphone Input Access Contacts (SW/VOX)
- Facility Port Input (For LM-2 Connection)
- Music Mute
- Dynamic Clip, Thermal & Short Protection
- 12-24V Power Supply
- Variants: EK, AUS, NA
- Energy Saving APD Feature

Accessories

(see pages 47/48 for details)



MA40T : Mini Amplifier

2 music, 1 mic input, 40W @ 100/70V, facility port input



General Description

- 1 x 40W 100/70/25V Output
- Line 1 over Line 2 Priority
- Microphone Input and Input Gain
- Music EQ Plus Optional EQ Card
- 70 / 100V Line Input
- Paging Microphone Access Contacts (SW/VOX)
- Facility Port Input (For LM-2 Connection)
- Music Mute
- Dynamic Clip, Thermal & Short Protection
- 12-24V Power Supply
- Variants: EK, AUS, NA
- Energy Saving APD Feature

Accessories
(see pages 47/48
for details)



MA40E : Mini Amplifier

2 music, 1 mic input, 2 x 20W @ 4Ω, Ethernet/RS-232, facility port input



General Description

- 2 x 20W 4Ω Output (<1% THD @ Full Power)
- Ethernet / RS-232 Level / Source / EQ Control
- Line 1 over Line 2 Priority
- Facility Port Input (For LM-2 Connection)
- Music EQ
- Music Mute
- Dynamic Clip, Thermal & Short Protection
- 12-24V Power Supply
- Variants: EK, AUS, NA
- Energy Saving APD Feature



Web Browser Configuration and User GUI

Accessories

(see pages 47/48 for details)



MA80 : Mini Amplifier

2 music, 1 mic input, 80W @ 4Ω



General Description

- 1 x 80W 4Ω Output (<1% THD @ Full Output)
- Line 1 over Line 2 Priority
- Microphone Input with EQ and Input Gain
- Music EQ Plus Optional EQ Card
- Microphone Output Level Control + Priority
- Music Mute • RL-1 Remote Control Interface
- Auxiliary Output
- Dynamic Clip, Thermal & Short Protection
- Integrated Universal Power Supply
- Variants: EK, AUS, NA
- Energy Saving APD Feature

Accessories
(see pages 47/48 for details)



MA80FT : Mini Amplifier

2 music, 1 mic input, 80W @ 4Ω or 100/70V, Facility port input



General Description

- 1 x 80W Mono 4Ω or 100/70/25V Output
- High Impedance Line Input 100/70V
- Line 1 over Line 2 Priority
- Energy Saving APD Feature
- Microphone Input with EQ (MA80 only) and Input Gain
- Music EQ Plus Optional EQ Card
- Paging Microphone Access Contacts (SW/VOX)
- Facility Port Input (For LM-2 Connection)
- Music Mute • Auxiliary Output
- Dynamic Clip, Thermal & Short Protection
- Integrated Universal Power Supply
- Variants: EK, AUS, NA
- Energy Saving APD Feature

Accessories
(see pages 39/41 for details)



MA80E : Mini Amplifier

2 music, 1 mic input, 80W @ 4Ω, Ethernet/RS-232, facility port input



General Description

- 1 x 80W 4Ω Output (<1% THD @ Full Output)
- Ethernet /RS-232 Level/Source/EQ Control
- Line 1 over Line 2 Priority
- Microphone Input with EQ (MA80 only) and Input Gain
- Facility Port Input (For LM-2 Connection)
- Music EQ Plus
- Music Mute
- Auxiliary Output
- Dynamic Clip, Thermal & Short Protection
- Integrated Universal Power Supply
- Variants: EK, AUS, NA
- Energy Saving APD Feature



Web Browser Configuration and User GUI

Accessories
(see pages 47/48 for details)



CA947034
Optional 20mm
Flexible Conduit Kit



MA60

4 music, 1 mic input, 60W @ 4Ω



MA60T

4 music, 1 mic input, 50W @ 100V/70V/50V
line output transformer



General Description

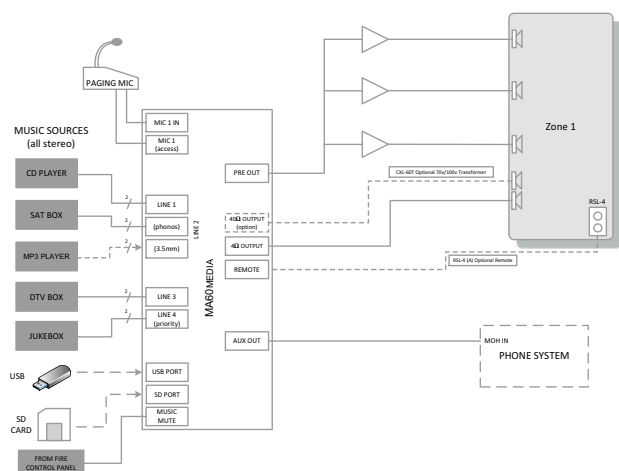
- Four-input mixer-amplifier with integral 60W mono power amplifier
- 100V/70V/50V line output transformer (option – CXL-50T)
- Gain trims on all inputs
- Electronically-balanced mic input
- Front panel control of music source/level and mic level
- 3.5mm jack input (LINE 2) for MP3 player, laptop, etc.
- Overall HF & LF EQ adjustment
- Short-to-ground access connector or VOX-triggered paging on mic input
- Selectable LINE 4 priority over other music inputs
- Optional equaliser modules for Bose®, Amina and Active Audio
- Music Mute control input (NO or NC) for interface to emergency system
- Compatible with standard Cloud remote control panels – RL-1 (music level) and RSL-4 (music level and source selection)

- Electronically-balanced pre-amp output
- Transformer-isolated auxiliary output with independent mic and music level control – for use with telephone MOH systems
- Aux output source selection (internal jumper) – fixed source or follow main output
- 19" rack mounting kit option for 1 x MA-60 (RE-L)
- 19" rack mounting kit option for 2 x MA-60 (RE-L)

Accessories
(see pages 47/48 for details)



Application Diagram for MA range



Rack Kit Option for MA range



19" rack mounting kit option for 2 x MA-60 (RE-S) see page 48.



19" rack mounting kit option for 1 x MA-60 (RE-L) see page 48.

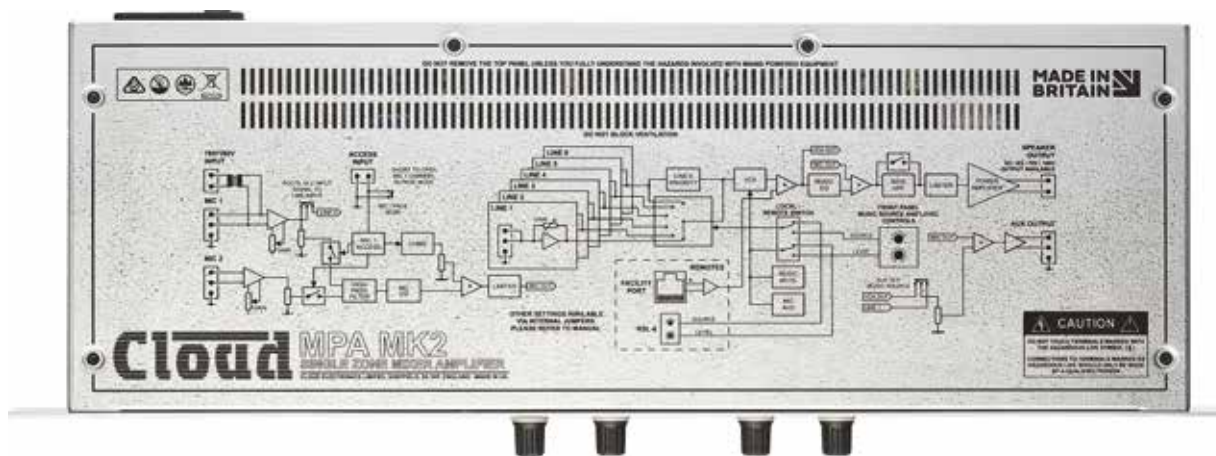
MPA120MK2 : Mixer Amplifier

6 music inputs, 2 mic inputs, 120W RMS output into 4Ω/8Ω or 70/100V



MPA240MK2 : Mixer Amplifier

6 music inputs, 2 mic inputs, 240W RMS output into 4Ω/8Ω or 70/100V



General Description

- Single zone mixer/amplifier
- 1x transformer-less Class-D amplifier
- 6 line inputs, stereo inputs summed to mono
- Balanced AUX output with selectable Music Content and Music level control
- Source select via front panel rotary selector or remotely via RSL-6
- Line input level via front panel control or remotely via RL-1 or RSL-6
- Line 6 priority selectable by internal jumper, release time 3s/6s/12s selectable by internal jumper
- Music EQ by tamperproof LF & HF presets on rear panel
- 2 Microphone inputs, low impedance balanced via phoenix style connectors
- Microphone EQ by tamperproof LF & HF presets on rear panel
- 100Hz dedicated high-pass filter on Microphone inputs
- Phantom power selectable by internal jumper
- Limiter dedicated to microphone inputs
- Both Mics have VOX priority over music signals, providing 30dB of attenuation
- Integrated chime triggered by access control of Mic 1 (Level by internal preset)
- Remote Music Mute configurable for NO or NC operation
- Overall "Peak Limiter" with LED indication on front panel
- Selectable speaker output impedance (4Ω/8Ω/70v/100v)
- Efficient, Universal Power Supply
- Convection Cooled (MPA120 MK2)
- Variable Speed Fan Cooling (MPA240 MK2)
- Facility port for connection of LM-2, L-1 or M-1 remote input modules via screened Cat 5 cable; LM-2 also allows remote control of music level and line input selection
- Facility Port supports BT-1 Bluetooth input module

Accessories
(see pages 47/48 for details)



Amplifier features:

- 65Hz HP Filter for 70/100V
- Variable speed fan cooling
- Switch on delay
- DC protection
- IV Limiting



Amplifiers

Cloud amplifiers are a range of multichannel audio amplifiers intended for use with high quality PA and music systems in locations where unquestionable long-term reliability is the primary consideration.



CA-Series

The Cloud CA Series is a range of versatile multi-channel audio power amplifiers of advanced design, able to drive low impedance loudspeakers, or high impedance (100 V-line or 70 V-line) loudspeaker distribution systems directly. They are ideal for sound reinforcement applications in the retail, leisure, hospitality, commercial or industrial sectors.

- Output stage can drive 70 V/100 V-line systems directly (transformer-less), or low impedance loudspeakers (≥ 4 ohms)
- Output mode selectable per-channel
- Balanced line level inputs
- Per-channel output level controls
- Per-channel rear panel input switches for input routing, high or low impedance operation, 70 V/100V -line selection and high-pass filter
- Automatic Power Down: all channels inactive = < 2.5 W power consumption
- Remote Power control input
- Global disable of APD function
- Variable speed forced-air cooling
- Thermal protection, over-current limiting and DC offset protection
- Switch-on delay for speaker protection during power-up
- Universal PSU – operates from 100 to 240 VAC

CA2250 : 2Ch Digital, 70V/100V or 4Ω/8Ω Amplifier

2 music inputs, 2 x 250W output



Accessories
(see pages 47/48 for details)



CA2500 : 2Ch Digital, 70V/100V or 4Ω/8Ω Amplifier

2 music inputs, 2 x 500W output



Accessories
(see pages 47/48 for details)



CA4250 : 4Ch Digital, 70V/100V or 4Ω/8Ω Amplifier

4 music inputs, 4 x 250W output



Accessories
(see pages 47/48 for details)



CA6160 : 6Ch Digital, 70V/100V or 4Ω/8Ω Amplifier

6 music inputs, 6 x 160W output



Accessories
(see pages 47/48 for details)



CA8125 : 8Ch Digital, 70V/100V or 4Ω/8Ω Amplifier

8 music inputs, 8 x 125W output

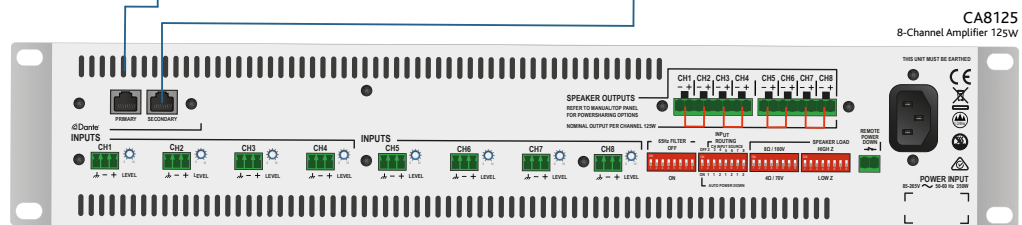
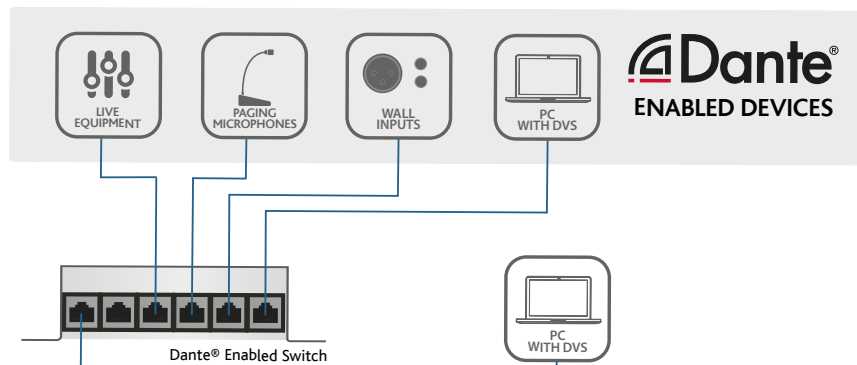


Accessories
(see pages 47/48 for details)



Dante CA Option Cards: CDI-CA2, CDI-CA4, CDI-CA8

- 2, 4, and 8-channel Dante input option cards
- Support for 44.1kHz, 48kHz, 88.2kHz and 96kHz sample rates
- Dante AES67 interoperability mode
- 1Gbps Ethernet (CDI-CA8) or 100Mbps Ethernet (CDI-CA2 / CDI-CA4)
- Dante redundancy or Ethernet switch modes (CDI-CA8)
- Dante Domain Manager (DDM) ready



2nd Dante® Port - SWITCH Mode

CXA125: 125W 1/2 Channel Digital DSP Amplifier

4 analogue inputs, 1 stereo S/PDIF digital input, and either 2 or 4 outputs (Lo-Z mode), or 1 or 2 outputs (Hi-Z mode)



General Description

CXA125 power amplifier has been designed to provide configurable, consistent and reliable high performance audio power amplification for residential, commercial and entertainment applications.

CXA125 amplifiers are half rack width, 1U format power amplifiers that can drive both conventional low impedance (Lo-Z, 4Ω to 16Ω) loudspeakers and high impedance (Hi-Z, 70V/100V) transformer coupled loudspeakers. They provide four analogue inputs, one stereo S/PDIF digital input, and either two or four outputs (Lo-Z mode), or one or two outputs (Hi-Z mode). CXA amplifiers also incorporate automatic power sharing technology that enables power to be shared proportionately as required between pairs of outputs in Lo-Z mode. CXA amplifier model output channel counts and power outputs are as follows:

| Mode | Channels | Max Rated Output per Channel |
|------|----------|------------------------------|
| Lo-Z | Two | 60 Watts |
| Lo-Z | One | 125 Watts |

CDR-3B & CDR-3W

This wall plate allows control of your CXA Amplifier.



CXA2125: 250W 1/2 Channel Digital DSP Amplifier

4 analogue inputs, 1 stereo S/PDIF digital input, and either 2 or 4 outputs (Lo-Z mode), or 1 or 2 outputs (Hi-Z mode)



General Description

CXA2125 power amplifier has been designed to provide configurable, consistent and reliable high performance audio power amplification for residential, commercial and entertainment applications.

CXA2125 amplifiers are half rack width, 1U format power amplifiers that can drive both conventional low impedance (Lo-Z, 4Ω to 16Ω) loudspeakers and high impedance (Hi-Z, 70V/100V) transformer coupled loudspeakers. They provide four analogue inputs, one stereo S/PDIF digital input, and either two or four outputs (Lo-Z mode), or one or two outputs (Hi-Z mode). CXA amplifiers also incorporate automatic power sharing technology that enables power to be shared proportionately as required between pairs of outputs in Lo-Z mode. CXA amplifier model output channel counts and power outputs are as follows:

| Mode | Channels | Max Rated Output per Channel |
|------|----------|------------------------------|
| Lo-Z | Two | 125 Watts |
| Lo-Z | One | 250 Watts |

CDR-3B & CDR-3W

This wall plate allows control of your CXA Amplifier.



CXA250: 125W 2/4 Channel Digital DSP Amplifier

4 analogue inputs, 1 stereo S/PDIF digital input, and either 2 or 4 outputs (Lo-Z mode), or 1 or 2 outputs (Hi-Z mode)



General Description

CXA250 power amplifier has been designed to provide configurable, consistent and reliable high performance audio power amplification for residential, commercial and entertainment applications.

CXA250 amplifiers are half rack width, 1U format power amplifiers that can drive both conventional low impedance (Lo-Z, 4Ω to 16Ω) loudspeakers and high impedance (Hi-Z, 70V/100V) transformer coupled loudspeakers. They provide four analogue inputs, one stereo S/PDIF digital input, and either two or four outputs (Lo-Z mode), or one or two outputs (Hi-Z mode). CXA amplifiers also incorporate automatic power sharing technology that enables power to be shared proportionately as required between pairs of outputs in Lo-Z mode. CXA amplifier model output channel counts and power outputs are as follows:

| Mode | Channels | Max Rated Output per Channel |
|------|----------|------------------------------|
| Lo-Z | Two | 60 Watts |
| Lo-Z | One | 125 Watts |

CDR-3B & CDR-3W

This wall plate allows control of your CXA Amplifier.



CXA2250: 250W 2/4 Channel Digital DSP Amplifier

4 analogue inputs, 1 stereo S/PDIF digital input, and either 2 or 4 outputs (Lo-Z mode), or 1 or 2 outputs (Hi-Z mode)



General Description

CXA2250 power amplifier has been designed to provide configurable, consistent and reliable high performance audio power amplification for residential, commercial and entertainment applications.

CXA2250 amplifiers are half rack width, 1U format power amplifiers that can drive both conventional low impedance (Lo-Z, 4Ω to 16Ω) loudspeakers and high impedance (Hi-Z, 70V/100V) transformer coupled loudspeakers. They provide four analogue inputs, one stereo S/PDIF digital input, and either two or four outputs (Lo-Z mode), or one or two outputs (Hi-Z mode). CXA amplifiers also incorporate automatic power sharing technology that enables power to be shared proportionately as required between pairs of outputs in Lo-Z mode. CXA amplifier model output channel counts and power outputs are as follows:

| Mode | Channels | Max Rated Output per Channel |
|------|----------|------------------------------|
| Lo-Z | Four | 125 Watts |
| Lo-Z | Two | 250 Watts |

CDR-3B & CDR-3W

This wall plate allows control of your CXA Amplifier.



CXA21K: 1KW 2/4 Channel Digital DSP Amplifier

4 analogue inputs, 1 stereo S/PDIF digital input, and either 2 or 4 outputs (Lo-Z mode), or 1 or 2 outputs (Hi-Z mode or Lo-Z BTL mode)



General Description

CXA21K power amplifiers has been designed to provide configurable, consistent and reliable high performance audio power amplification for residential, commercial and entertainment applications.

The CXA21K amplifier is full rack width, 2U format power amplifier that can drive both conventional low impedance (Lo-Z, 2Ω to 8Ω) loudspeakers and high impedance (Hi-Z, 70V/100V) transformer coupled loudspeakers. They provide four analogue inputs, one stereo S/PDIF digital input, and either two or four outputs (Lo-Z mode), or one or two outputs (Hi-Z or Lo-Z BTL mode). CXA21K amplifier model output channel counts and power outputs are as follows:

| Mode | Channels | Max Rated Output per Channel |
|------|----------|------------------------------|
| Lo-Z | Four | 500 Watts |
| Lo-Z | Two | 1000 Watts |
| Hi-Z | Two | 1000 Watts |

CDR-3B & CDR-3W

This wall plate allows control of your CXA Amplifier.



CXA215K: 1.5KW 2/4 Channel Digital DSP Amplifier

4 analogue inputs, 1 stereo S/PDIF digital input, and either 2 or 4 outputs (Lo-Z mode), or 1 or 2 outputs (Hi-Z mode or Lo-Z BTL mode)



General Description

CXA215K power amplifiers has been designed to provide configurable, consistent and reliable high performance audio power amplification for residential, commercial and entertainment applications.

The CXA215K amplifier is full rack width, 2U format power amplifier that can drive both conventional low impedance (Lo-Z, 2Ω to 8Ω) loudspeakers and high impedance (Hi-Z, 70V/100V) transformer coupled loudspeakers. They provide four analogue inputs, one stereo S/PDIF digital input, and either two or four outputs (Lo-Z mode), or one or two outputs (Hi-Z or Lo-Z BTL mode). CXA215K amplifier model output channel counts and power outputs are as follows:

| Mode | Channels | Max Rated Output per Channel |
|------|----------|------------------------------|
| Lo-Z | Four | 750 Watts |
| Lo-Z | Two | 1500 Watts |
| Hi-Z | Two | 1500 Watts |

CDR-3B & CDR-3W

This wall plate allows control of your CXA Amplifier.



CV-Series

The CV Digital Class-D Multi-Channel Amplifier Series from Cloud Electronics, provides a range of feature-rich functions for commercial audio installers and users alike. On-board configurable DSP, a host of remote / third party control options and with basic set-up options via rear panel DIP switches, the new CV-Series Multi-Channel Amplifiers are designed specifically for commercial use in Retail, Leisure, Hospitality, Commercial and Industrial applications.

- Digital Class-D Multi-Channel Amplifier Series
- Energy Efficient Switch Mode Power Supply
- Comprehensive On-Board DSP
- 1450ms assignable audio delay
- Basic / Advanced User Modes
- Load Testing / Reporting
- Power Sharing Capability
- Ethernet / RS-232 configuration and control
- SNMP status monitoring and reporting• GPIO (General Purpose Inputs/Outputs)
- Rear Dip-Switch Configuration of routing, high-pass filters, and 70/100v line level
- Two configurable Aux Outputs capable of independent operation, or as slaves to an existing amplifier channel
- 2U Lightweight Chassis
- Remote Volume (RL-1) compatible
- 70/100v line operation
- Energy Star Compliant

CV2500 : 2Ch Digital, DSP, 70V/100V Line Amplifier

2 music inputs, 2 x 500W output, + 2 aux. output



Accessories
(see pages 47/48 for details)



CV4250 : 4Ch Digital, DSP, 70V/100V Line Amplifier

4 music inputs, 4 x 250W output, + 2 aux. output



Accessories
(see pages 47/48 for details)



CV8125 : 8Ch Digital, DSP, 70V/100V Line Amplifier

8 music inputs, 8 x 125W output, + 2 aux. output



Accessories
(see pages 47/48 for details)



CVA-Series

Cloud Electronics adds to its range of energy efficient, class-leading amplifiers with the introduction of its new CVA-Series multi-channel digital amplifiers. The Multi-Channel Amplifiers are designed specifically for commercial use in Retail, Leisure, Hospitality, Commercial and Industrial applications.

Flexible Output

All models in the CVA-Digital series offer a total power output capability of 1KW, shared across the amplifier channels. This flexible approach allows a single, multi-channel amplifier, to drive loudspeaker systems differing in load size, in different areas of a building or venue, whilst optimising overall power output capability (100v only).

Ethernet / DSP

A full suite of user configurable DSP functionality is on-board the CVA-Digital series.

Auxiliary Outputs

Providing the same DSP power as the normal amplifier channels, the auxiliary outputs can be configured as traditional slave outputs, or used as independent signal processing and routing channels.

Analogue and Digital Control

The CVA-Digital series amplifiers are compatible with standard Cloud RL Series remote level control plates. DSP parameters are accessible via RS-232 and Ethernet.

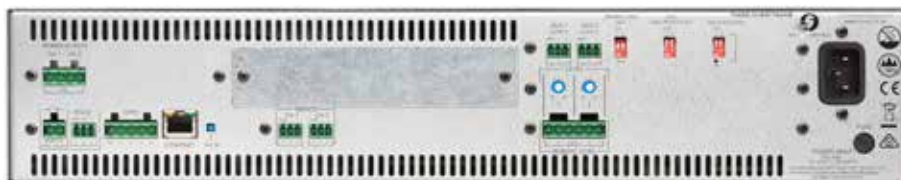
CVA2500 : 2Ch 500W Per Output Digital, DSP Amplifier

2 music inputs, 2 x 500W output, + 2 aux. output



Accessories
(see pages 47/48 for details)

F



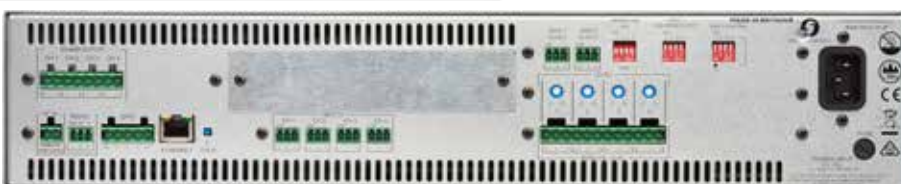
CVA4250 : 4Ch 250W Per Output Digital, DSP Amplifier

4 music inputs, 4 x 250W output, + 2 aux. output



Accessories
(see pages 47/48 for details)

F



CVA8125 : 8Ch 125W Per Output Digital, DSP Amplifier

8 music inputs, 8 x 125W output, + 2 aux. output



Accessories
(see pages 47/48 for details)

F



CV / CVA Amplifier DSP User Configuration & User GUI

On-board configurable DSP via ethernet hosted browser



Log-on



Menu



Network configuration



DSP configuration



Delay setup



Channel overview



Audio Setup



Room EQ



Crossover advanced



Speaker EQ advanced



Auxiliary output 1



Monitoring



Logging setup



Event log



User configuration

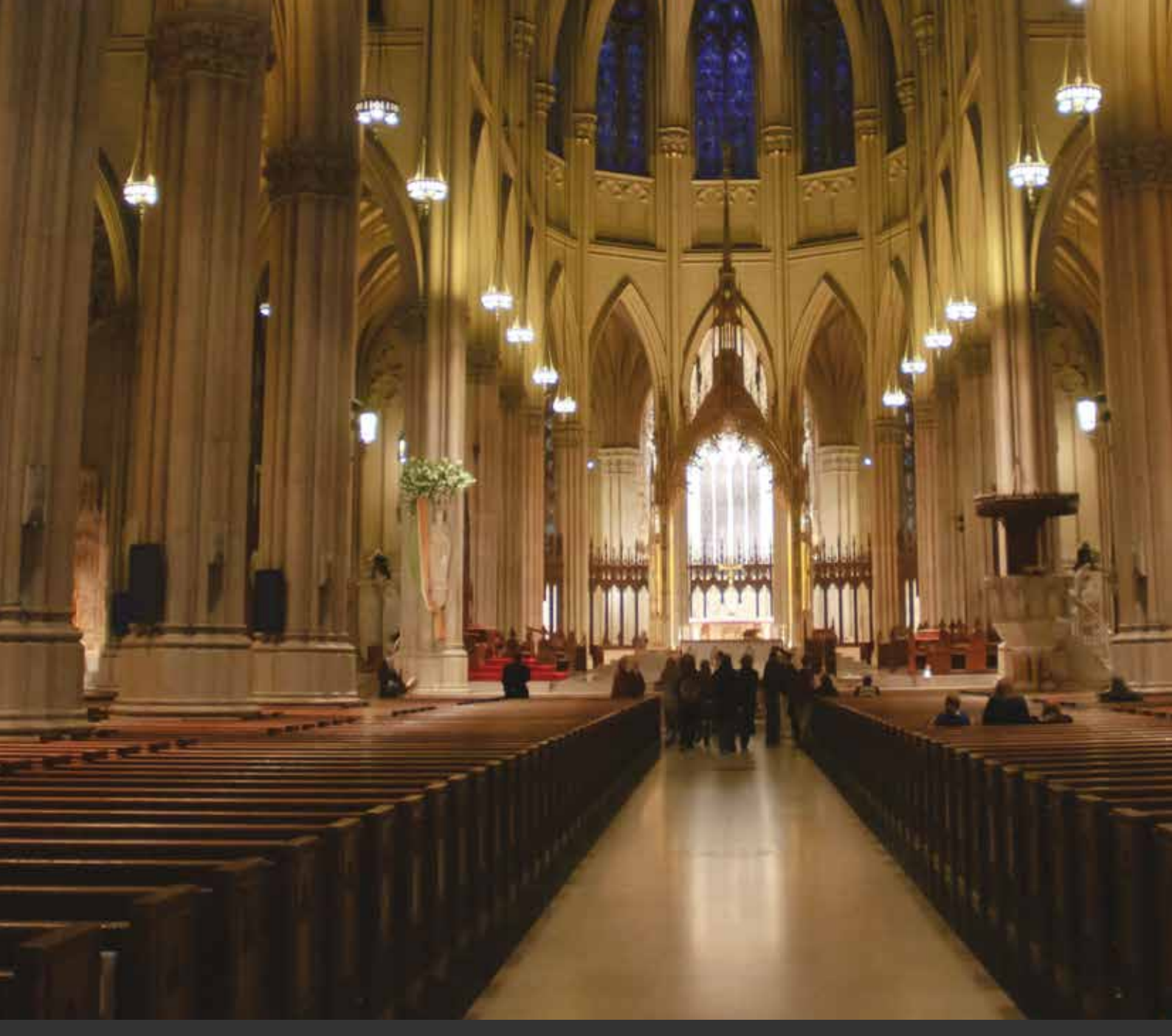
CV/CVA Dante Cards: CDI-CV2, CDI-CV4, CDI-CV8

- 2, 4, and 8-channel Dante input option cards
- Support for 44.1kHz, 48kHz, 88.2kHz and 96kHz sample rates
- Dante AES67 interoperability mode
- 1Gbps Ethernet (CDI-CV8) or 100Mbps Ethernet (CDI-CV2 / CDI-CV4)
- Dante redundancy or Ethernet switch modes (CDI-CV8)
- Dante Domain Manager (DDM) ready
- Flexible channel input routing via Amplifier DSP configuration



Paging Microphones and Accessories

Clouds paging microphones are designed for general purpose multi-zone applications and have a powerful range of options that make them suitable for almost any situation. They are easy to install, configure, and provide the user with an elegant and simple-to-use unit.



PM & PM-SA Series : Paging Microphones

The PM range of microphones can be used for paging with several Cloud Products and can be integrated with any 3rd party systems that require 'short to ground' for paging access. With four multi-zone models in the range, PM-4, 8, 12, 16 and the ability to link 32 PM's together, designers can provide large, complex and flexible multi-zone paging systems.

When designing a multi-microphone paging system any combination of mics can be used to create a system and all but the first in the system will require a local PSU.

PM Series

Features PM-1:

- PM-1 entry level, single-zone paging microphone
- High quality 300mm Dynamic Mic
- Integral PTT (PressToTalk) switch
- Internal cable connections with cable retention strap

Features PM-4, 8, 12 & 16:

- Simple CAT5, mic to mic cabling
- "Paging Group" key assignment
- Selected zone, group or "Call all" paging
- First come first served priority
- "Busy" indicator to show system in use

- Any mic can be configured with ultimate priority
- High quality cardioid capsule
- Integral compressor
- A choice of four chimes
- Internal sounder
- Factory 're-set' (by jumper)



PM-1



PM-4



PM-8



PM-12



PM-16



PM Rear

PM-SA Series

Features PM4-SA, PM8-SA

- Individual and Multiple Zone Selection by Mic or Message
- Remote Message Trigger Contacts (NO/NC Contacts) for PIRs, Timer, DVR/Cameras
- User Definable .WAV & .MP3 Recordable Message - any length
- Definable Zone Groups with Group Selection

- Pre-Announcement Chime (recordable on SD Card)
- TALK & CALL ALL Buttons
- BUSY LED
- Configurable 2-Layer Announcement Priority
- Auto Zone Reset after Announcement
- Zone Disable Function

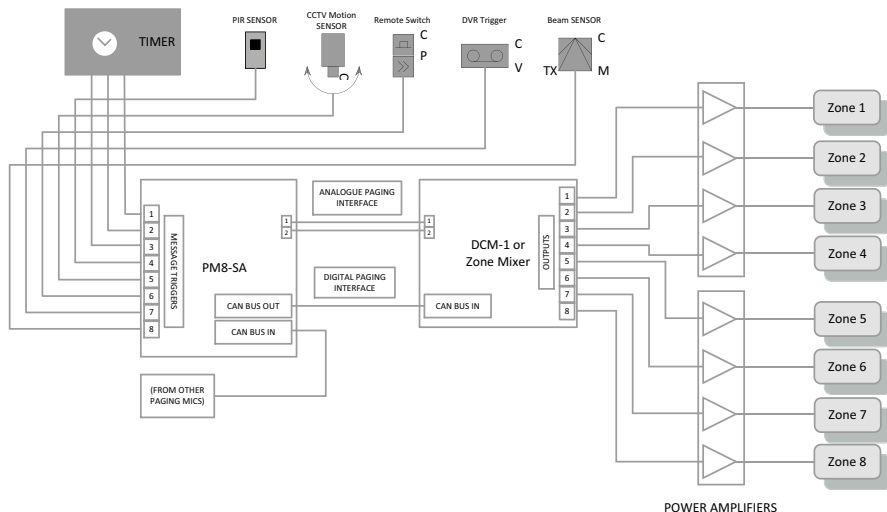


PM4-SA



PM8-SA

Application Diagram for PM-SA Series



All multi-zone paging mics can be wall mounted with optional 140mm gooseneck mic (part No. - M1100166)

Accessories

Cloud has a range of accessories that enable remote flexible control of our products.

DLM-1 Mic Input Module

Mic Input Module



General Description

The DLM-1 Series is a range of remote mic/line input modules for use in a Dante-compatible network audio system. A DLM-1 module allows a microphone and/or a stereo music (or other line level) source to be connected at a remote location. The music input is mixed with the mic signal and the resulting output appears as a mono Dante channel at a standard RJ45 Ethernet port.

The DLM-1 can be used in any Dante network, or Dante-compatible network. This includes the Cloud CA Series and CV Series of advanced multichannel power amplifiers when they are fitted with a CDI-CA or CDI-CV Dante interface card.

Features

- Remote mic/line input module, for use with all Dante-compatible networks
- AES67 compliant for interoperability with alternative (non-Dante) networks
- Easy connection to network via RJ45 and standard Cat 5 cable
- Powered via PoE – no local PSU required
- Network speed and activity LEDs (on RJ45)
- Balanced mic input (XLR) with level control
- Stereo, unbalanced line level input (phonos/RCA), with independent level control
- Alternative line input on 3-pole 3.5 mm jack socket
- Active mixing of mic and line signals
- Selectable mic-over-music priority
- Selectable hi-pass filter on mic input to reduce handling noise, etc.
- Multiple DLM-1s in the same Zone may be linked using Dante Controller

Accessories

Compatible with DCM-1 & DCM-1E



2024 RELEASE

BT-2EB & BT-2EW - UK Version

BT-2EAB & BT-2EAW US Version

BT-2EB, BT-2EW & BT-EAW

- Remote Bluetooth Input Module
- Plate naming convention
- Host units with Facility Port option
- RF power level adjustment
- Daisy-chain option

CDR-1F (170mm x 85mm)

CDR-1 (85mm x 85mm)

Rear and side views

CDR-1F & CDR-1

The CDR-1F & CDR-1 are remote control units specifically designed for use with the DCM-1. CDRs may be fitted to standard electrical back boxes in whatever location is convenient in each zone.

Any zone may have one CDR, more than one, or none at all. The DCM-1 can support up to 100 CDRs. CDRs are interconnected with just one standard CAT-5 UTP cable; units may be daisy-chained at will and/or connected individually back to the DCM-1's four CDR ports using almost any wiring topology convenient for the installation.

US Version

LE-1 & LE-1A (US Version)

The LE-1 is an input connector plate which can be installed wherever required. Versions are available to fit standard UK, US or Australian dual-gang electrical back boxes. It allows connection of a stereo unbalanced line-level audio source, such as a portable music centre, laptop, radio mic receiver or similar, and connects to one of the DCM-1's Extension Ports with a single screened CAT-5 cable.

US Version

ME-1 & ME-1A (US Version)

The ME-1 input connector plate provides two balanced microphone inputs, and is useful in multi-purpose areas where mics are sometimes needed. The ME-1 has adjustable mic level and EQ per input, and connects to one of the DCM-1's four dedicated Mic Inputs with a single screened CAT-5 cable. The ME-1's two inputs are mixed together at the plate, and the summed mic signal applied to the DCM-1.

US Version

BE-1 & BE-1A (US Version)

The BE-1 is an input connector plate of similar type to the LE-1. It provides a stereo balanced line-level input, permitting professional audio equipment such as mixing consoles, DI boxes or broadcast equipment to be connected. Like the LE-1, it connects to one of the DCM-1's Extension Ports with a single screened CAT-5 cable. BE-1s may be daisy-chained in the same way as LE-1s, and the two types of plate may be intermixed.

BT-2, LM-2 : Active Modules

Active Modules

Several Cloud products have a facility port, which is intended to extend the capabilities of the unit by allowing the connection of a remotely located active module. The combination of products such as the Z8II/Z4II and the active modules allow designers to provide simple, cost effective solutions to many customers requirements that are difficult to achieve with other manufacturers units.

| | |
|--|--|
| <p>B</p> <p>UK Version</p> <p>US Version</p> <p>2024 RELEASE</p> | <p>E</p> <div style="display: flex; justify-content: space-around;"> <div style="text-align: center;"> <p>LM-2 UK Version</p> </div> <div style="text-align: center;"> <p>LM-2X UK Version</p> </div> <div style="text-align: center;"> <p>L-1 UK Version</p> </div> </div> <div style="display: flex; justify-content: space-around;"> <div style="text-align: center;"> <p>LM-2A US Version</p> </div> <div style="text-align: center;"> <p>LM-2XA US Version</p> </div> <div style="text-align: center;"> <p>M-1 UK Version</p> </div> </div> <div style="display: flex; justify-content: space-around;"> <div style="text-align: center;"> <p>LM-2D DE/NL Version</p> </div> <div style="text-align: center;"> <p>L-1A US Version</p> </div> <div style="text-align: center;"> <p>M-1A US Version</p> </div> </div> |
| <p>BT-2B, BT-2W & BT-2AW</p> <ul style="list-style-type: none"> • Remote Bluetooth Input Module • Plate naming convention • Hosts units with Facility Port Option • RF power Level adjustment • Daisy-chain option | <p>LM-2B & LM-2W, LM-2XB & LM-2XW, LM-2AB & LM-2AW, LM-2AXB & LM-2AXW, LM-2DB & LM-2DW, L-1B & L-1W, L-1AB & L-1AW, M-1B & M-1W, M-1AB & M-1AW;</p> <ul style="list-style-type: none"> • Inputs for balanced mic (XLR) and stereo line • Level controls for mic and music • Microphone over music and link extension • Remote control of mixer's music source and level |

Wall Remote Controls

| | | |
|--|--|--|
| <p>F FM</p> <p>RL-1A US Version</p> <p>RL-1</p> <p>RL-1x8</p> | <p>G GM</p> <p>RSL-6A US Version</p> <p>RSL-6</p> <p>RSL-6x4</p> | <p>H HM</p> <p>RSL-4</p> <p>US Version</p> |
| <p>RL-1, RL-1A (US Version) & RL-1x8</p> <p>Remote music level control compatible with Z4II, Z8II, CX263, CX163, 46/50, 36/50, MPA Series, CXV-225 and CXV-425.</p> | <p>RSL-6, RSL-6A (US Version) & RSL-6x4</p> <p>Remote music source select & level control compatible with Z4II, Z8II, CX261, CX263, 46/50, 36/50, MPA Series.</p> | <p>RSL-4 & RSL-4A (US Version)</p> <p>Remote music source select & level control compatible with MA60 and MA60 Media.</p> |
| <p>I</p> <p>US Version</p> | <p>J</p> <p>US Version</p> | |
| <p>XLR-F1B & XLR-F1W, XLR-F1AB & XLR-F1AW</p> <p>Female XLR connector mounted on a plate similar to RL-1, RSL-6.</p> | <p>XLR-M1B & XLR-M1W, XLR-M1AB & XLR-M1AW</p> <p>Male XLR connector mounted on a plate similar to RL-1, RSL-6.</p> | |

General Accessories

C



FPA-1;

- Facility Port Adapter
- Connects LM-2 &/or BT-1 input plates to any amp/mixer
- 12V PSU included
- RL and RSL remote connector
- Power injector for extended range

M



RE-S

Rack mounting housing kit designed to accept 2 x MA60 Mixer amps. See page 32.

N



RE-L

Rack mounting housing kit designed to accept 1 x MA60 Mixer amp. See page 32.

O



PS-UK / PS-EU / PS-NA

External power supply.

High-Impedance Transformers

W



CXL-50T

50W 100V/70V/50V toroidal transformer, compatible with MA60 & MA60 Media.

W2



CXL-80T

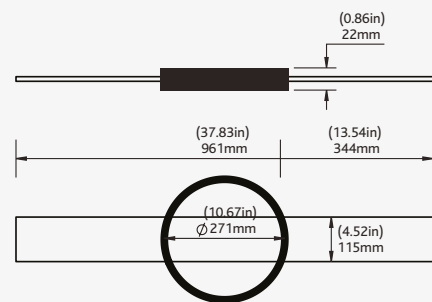
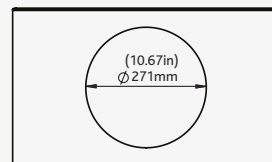
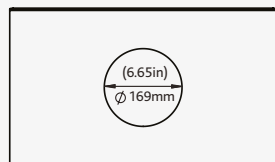
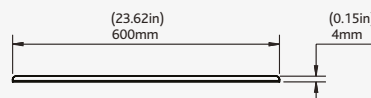
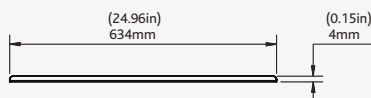
80W 100V/70V/50V toroidal transformer, compatible with 46-80 Mixer Amplifier.

Speaker Accessories

TB
MG

Tile Bridges

Pre-install Mud Guard



CS-4TB-4P (4 Pack)

For use with Clouds CS-C4VW, CS-C4VB, CS-C4HW & CS-C4HB.

CS-TB-4P (4 Pack)

For use with Clouds CS-C5, CS-C6, CS-C8 & CS-CSUB8.

CS-PI-10P (10 Pack)

Cloud

CONTRACTOR SERIES

Contractor Series Catalogue

MX141M : 1U Strip Mixer with Media Player



General Description

The MX141M is a 1U Media Mixer which combines a compact audio mixer with a microphone input and three stereo sources with a media player, with FM tuner, jingle player and Bluetooth connectivity. Packed in a sleek 19" 1U case and supplied with an infrared remote control for the media player functions. The MX141M is the perfect solution for commercial sound systems in hospitality and fitness audio applications.

- 3 Line Level Inputs (RCA)
- 1 x Slave FOH Input (Stereo TRS)
- 1 Media Input (Bluetooth, USB, FM)
- 1 Mic Input (Combo XLR & TRS)
- Single Output (Euro Con or RCA or TRS)
- EQ Control for Mic & Master Output
- IR Remote for Media Player Functions
- Emergency Line Level Input
- Music Mute Contact (NO only)

MX155 : 1U Strip Mixer



General Description

The MX155 is a 7-Channel mic/line mixer with 5 multi-purpose mic/line inputs, one dedicated microphone input and talk-over feature. All inputs feature EQ's and Gain control. The balanced output is provided via Euroblock connector. Remote muting and emergency signal replay facilitate the use in installed sound systems.

- 5 x Mic/Line Level Inputs (Euro/RCA)
- 1 x Slave FOH or AUX Input (Stereo TRS or 3.5mm Stereo Jack)
- 1 x Dedicated Mic Input w/VOX Feature (Euro Con)
- Headphone Pre-Fade Monitor Jack
- Stereo REC Output (RCA)
- Stereo Balanced Output (Euro Con)
- Emergency Line Level Input
- Music Mute Contact (NO only)

VMA120 : 2U Installer Mixer Amp



General Description

The VMA120 and VMA240 are cost effective mixer-amplifiers for use in all types of commercial premises and applications. They have been designed to be as simple to install and operate as possible, yet retain a useful range of configuration options.

Both units are mono power amplifiers combined with a simple mixer stage. They are identical in terms of facilities, and differ only in the maximum power output available – 120 W (VMA120) or 240 W (VMA240). They may be used to drive either low-impedance loudspeakers directly (4 ohms minimum) or 25/70/100 V-line loudspeaker distribution systems.

- 1 x 120 W @ 4 ohms or 25/70/100v (VMA120)
- 1 x 240 W @ 4 ohms or 25/70/100v (VMA240)
- 3 Line Inputs (Euro Con)
- 1 AUX Line Inputs (3.5mm stereo jack - front panel)
- 2 Balanced Mic Inputs (1 x TRS & 1 x Euro Con)
- Selectable 65Hz HPF (default - ON)
- Emergency Line Level Input
- Music Mute Contact (NO only)
- Over current, Short circuit & Thermal Reset Protection

VMA240 : 2U Installer Mixer Amp



VA2120 : 2U Installer Amp



General Description

The VA2120 and VA4120 are cost effective audio power amplifiers for use in all types of commercial premises. They have been designed to be as simple to install and operate as possible.

The two models are identical in terms of facilities, and differ only in the number of channels: two (VA2120) or four (VA4120). Each channel can deliver 120 W. The amplifiers can drive either low-impedance loudspeakers directly (4 ohms minimum) or 25/70/100 V-line loudspeaker distribution systems.

- 4 x 120 W @ 4 ohms or 25/70/100v (VA4120)
- 2 x 120 W @ 4 ohms or 25/70/100v (VA2120)
- 2 Balanced line inputs (Euro Con)
- 4 Balanced line inputs (Euro Con)
- Input level control (rear pot)
- Selectable 65Hz HPF (per channel)
- Over current, Short circuit & Thermal reset protection

VA4120 : 2U Installer Amp



Speakers

General Description

In response to the success of our Cloud Electronics speaker range we are expanding our range of high quality in-ceiling speaker range. These speakers deliver exceptional value for money, sonic performance and reliability for a wide variation of applications. Targeted at the entry market, this "Value-Line" is a series of competitively priced solutions for a broad range of applications such as background music systems in hotels, restaurants and pubs corporate offices, retail stores, etc.



Cloud

CONTRACTOR SERIES



CVS-C82TW (White)

- 8" ceiling speaker
- 2 way coaxial driver, open back
- 8 ohm, max 50W
- 100V - 24W, 12W, 6W
- White aluminium painted grille



CVS-C5W

- 5¼" ceiling speaker
- Dual cone open back design
- 16 ohm, max 20W
- White steel painted grille



CVS-C5TW

- 5¼" ceiling speaker
- Dual cone open back design
- 8 ohm, max 20W /100V - 6W, 3W, 1.5W
- White steel painted grille



CVS-C52TW

- 5¼" ceiling speaker
- 2-way coaxial open back design
- 8 ohm, max 40W /100v - 6W, 3W, 1.5W
- White aluminium painted grille



CVS-C53TW (White) CVS-C53TB (Black)

- 5¼" ceiling speaker
- 2 way coaxial driver
- Open back 8 ohm, max 40W /100V - 24W, 12W, 6W
- White & black aluminium painted grille

General Description

The Cloud CVS-C62 & CVS-C83 are a more Premium in-ceiling speaker within the Contractor Series and are more specifically designed for high quality music reproduction. They are also suitable for speech and announcements and will find application where a better quality of music audio is desirable. They come with painted steel grille in BLACK or WHITE which attaches magnetically, making for a very easy flush finish to the installation and a very clean appearance.



CVS-C62TW (White) CVS-C62TB (Black)

- 6½" 2-way coaxial driver, open back
- 8 ohm, max 50W
- 100V - 24W, 12W, 6W
- Magnetic interchangeable steel painted grille Black or White



CVS-C83TW (White) CVS-C83TB (Black)

- 8" 2-way coaxial driver, open back
- 8 ohm, max 50W
- 100V - 24W, 12W, 6W
- Magnetic interchangeable steel painted grille Black or White

Cloud

CONTRACTOR SERIES



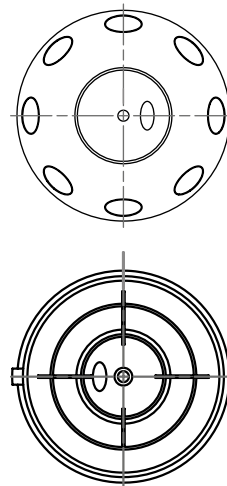
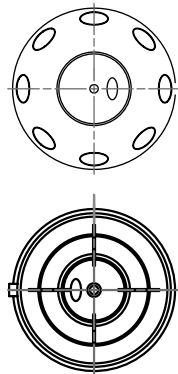
CVS Series Speakers

General Description

The CVS Contractor Series of cost-effective loudspeakers includes two pendant models specifically designed to be suspended in free space from any convenient point. A complete set of suspension components is included with each loudspeaker. Horizontal dispersion is 360°. Pendant Speakers Premium Drivers are used for 2 model sizes of Pendant Speakers - 6½" & 4½" Versions.

CVS-P42TW (White) CVS-P42TB (Black)

- 4½" 2-way coaxial driver, open back
- 8 ohm, max 40W
- 100V - 20W, 10W, 5W, 2.5W
- Made from High-Impact PP Plastic Inc.
- Cables, Eye Bolt & Carabiner
- Black or White



CVS-P62TW (White) CVS-P62TB (Black)

- 6½" 2-way coaxial driver, open back
- 8 ohm, max 40W
- 100V - 20W, 10W, 5W, 2.5W
- Made from High-Impact PP Plastic Inc.
- Cables, Eye Bolt & Carabiner
- Black or White

Cloud

CONTRACTOR SERIES

WB-P46W & WB-P46B

Optional wall mounting brackets for CVSP42 & P62 Pendant speakers.



CVC Remotes

General Description

The CVC Contractor Series of 100V Attenuated volume controls.

CVC-6

100V Attenuated Volume Control

- Attenuated Volume Control
- Power rating 6W
- 100V



CVC-30

100V Attenuated Volume Control

- Attenuated Volume Control
- Power rating 30W
- 100V



CVC-60

100V Attenuated Volume Control

- Attenuated Volume Control
- Power rating 60W
- 100V



CVC-120

100V Attenuated Volume Control

- Attenuated Volume Control
- Power rating 120W
- 100V





United Kingdom

Cloud Electronics Ltd
140 Staniforth Road,
Sheffield,
S9 3HF, England

Telephone: +44 (0)114 244 7051

www.cloud.co.uk

E-mail: info@cloud.co.uk

Connect



Search 'Cloud Electronics'