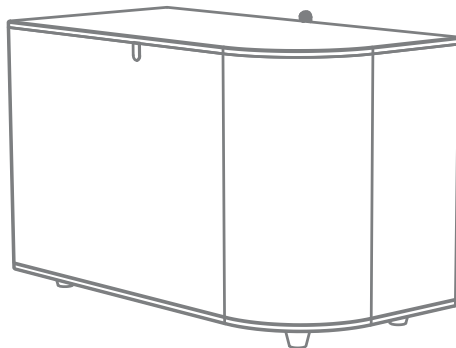


# **CS-SUB8** **8” Surface Mount Subwoofer**



## **Installation Guide**



**CAUTION - Installation**

Speaker must be installed by qualified speaker technician.



**CAUTION - Servicing**

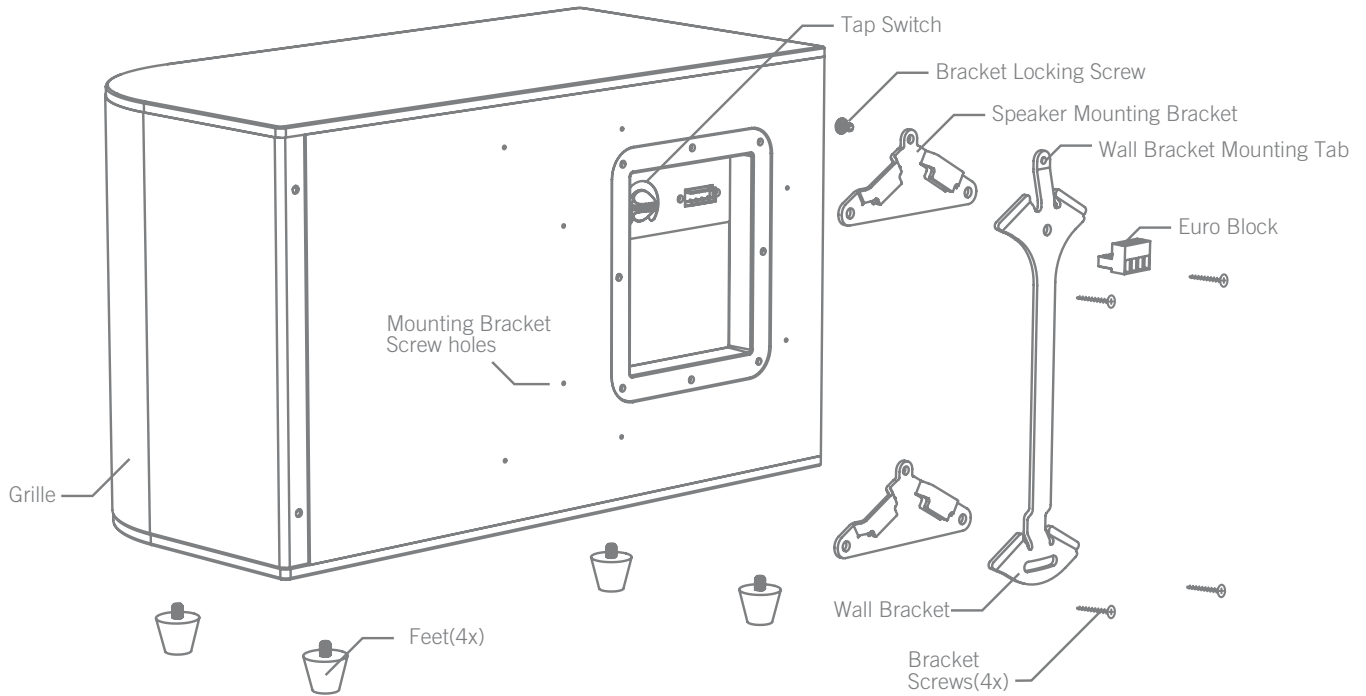
Do not perform servicing unless you are qualified to do so. The unit contains no user-serviceable parts. Refer servicing to qualified personnel.



**CAUTION - Tap Switch**

Before use check and set tap switch under grille to proper setting for your system.

## EXPLODED VIEW

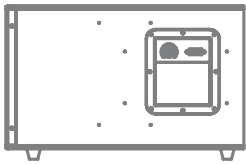


## TAP SETTINGS

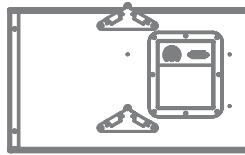
Tap	CS-SUB8		
	100V	70V	25V
1	4 ohm		
2	X	100W	13W
3	100W	50W	7W
4	50W	25W	3W
5	25W	13W	1.5W
6	13W	6W	0.8W

# MOUNTING OPTIONS

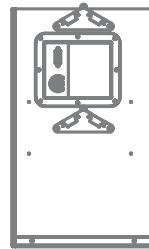
Floor or Shelf



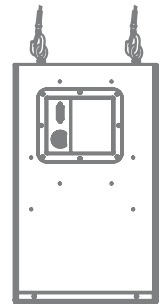
Horizontal Surface mount



Vertical Surface mount



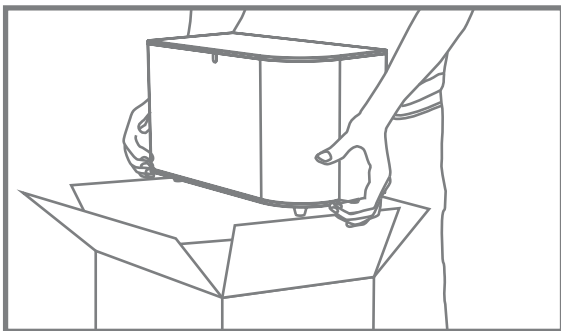
Fly mount



## INSTALLATION

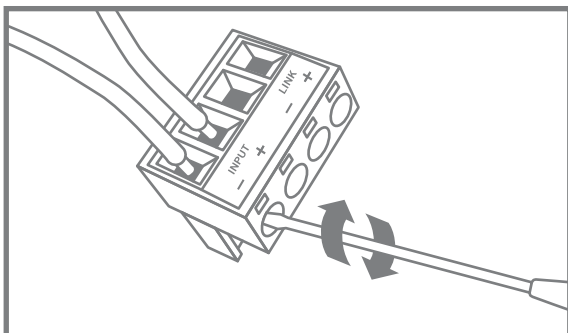
### Step 1

Remove speaker from box.



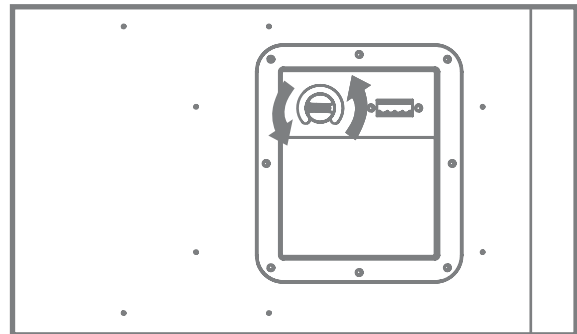
### Step 2

Locate euroblock in accessory bag and connect signal wire. For daisy chaining, use "LINK" output to run to next speaker.



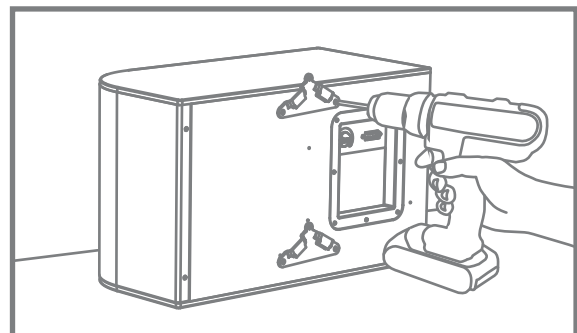
### Step 3

Set tap switch to proper setting. Tap switch is preset to highest 100V position.



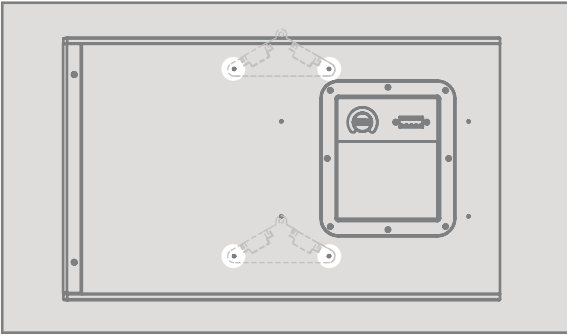
### Step 4 - SURFACE MOUNT

Remove rubber feet. Attach speaker mounting bracket to cabinet choosing vertical or horizontal mounting holes with provided screws, **DO NOT OVER-TIGHTEN**.



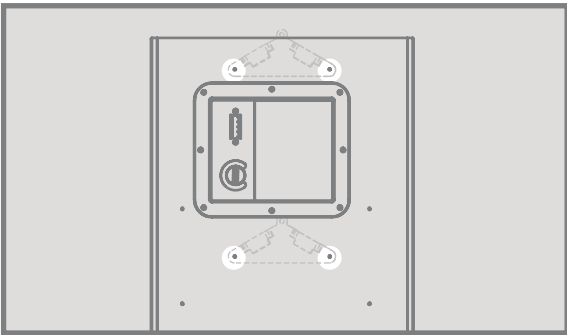
## Step 4.1 - Horizontal

Use these hole to attach speaker mounting brackets to cabinet for Horizontal mount.



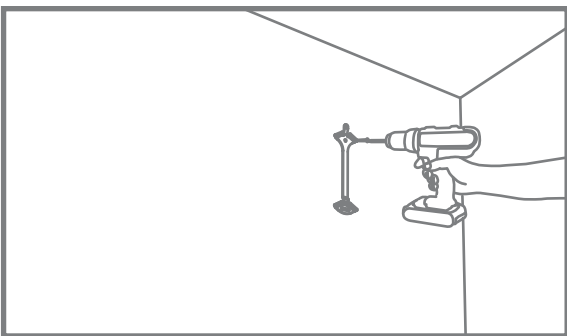
## Step 4.1 - Vertical

Use these hole to attach speaker mounting brackets to cabinet for vertical mount.



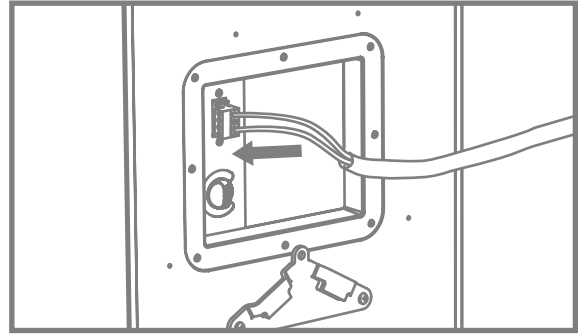
## Step 5

Securely attach wall bracket with wall bracket lock tab facing up.



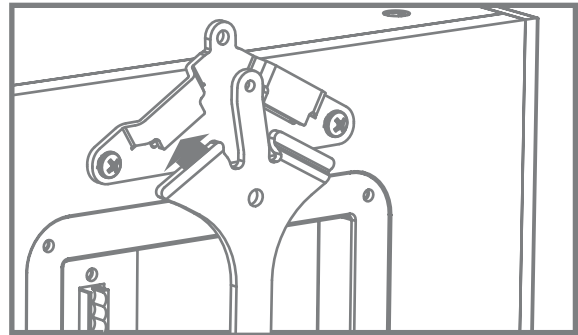
## Step 6

Insert euroblock into rear of subwoofer.



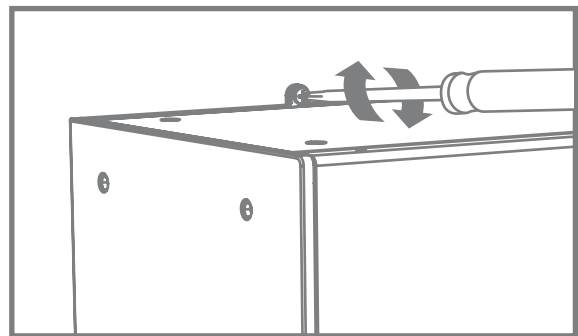
## Step 7

Hang subwoofer by inserting tabs of speaker brackets into wall bracket slots.



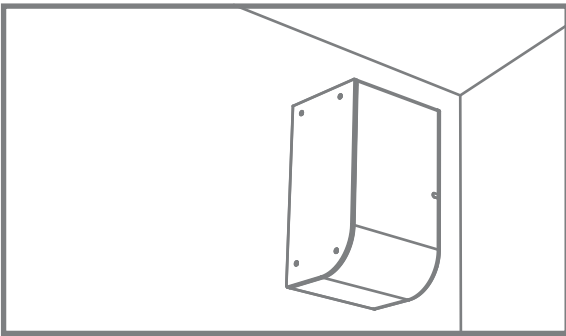
## Step 8

Insert bracket locking screw at top of bracket.



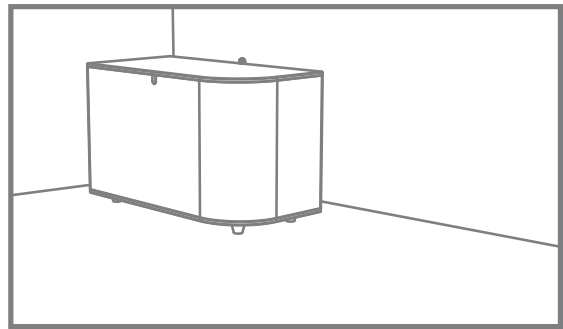
**Step 9**

Done.



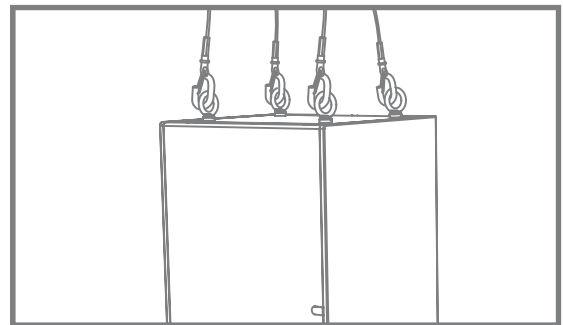
**FLOOR OR SHELF MOUNT**

Follow steps 1-3. Set subwoofer on floor or shelf.



**FLY MOUNT**

Insert 4 optional forged eyebolts in M6 inserts on side of speaker cabinet. Use appropriate cables to hang speaker. Follow steps 1-3.



[www.cloud.co.uk](http://www.cloud.co.uk)



[www.cloudusa.pro](http://www.cloudusa.pro)