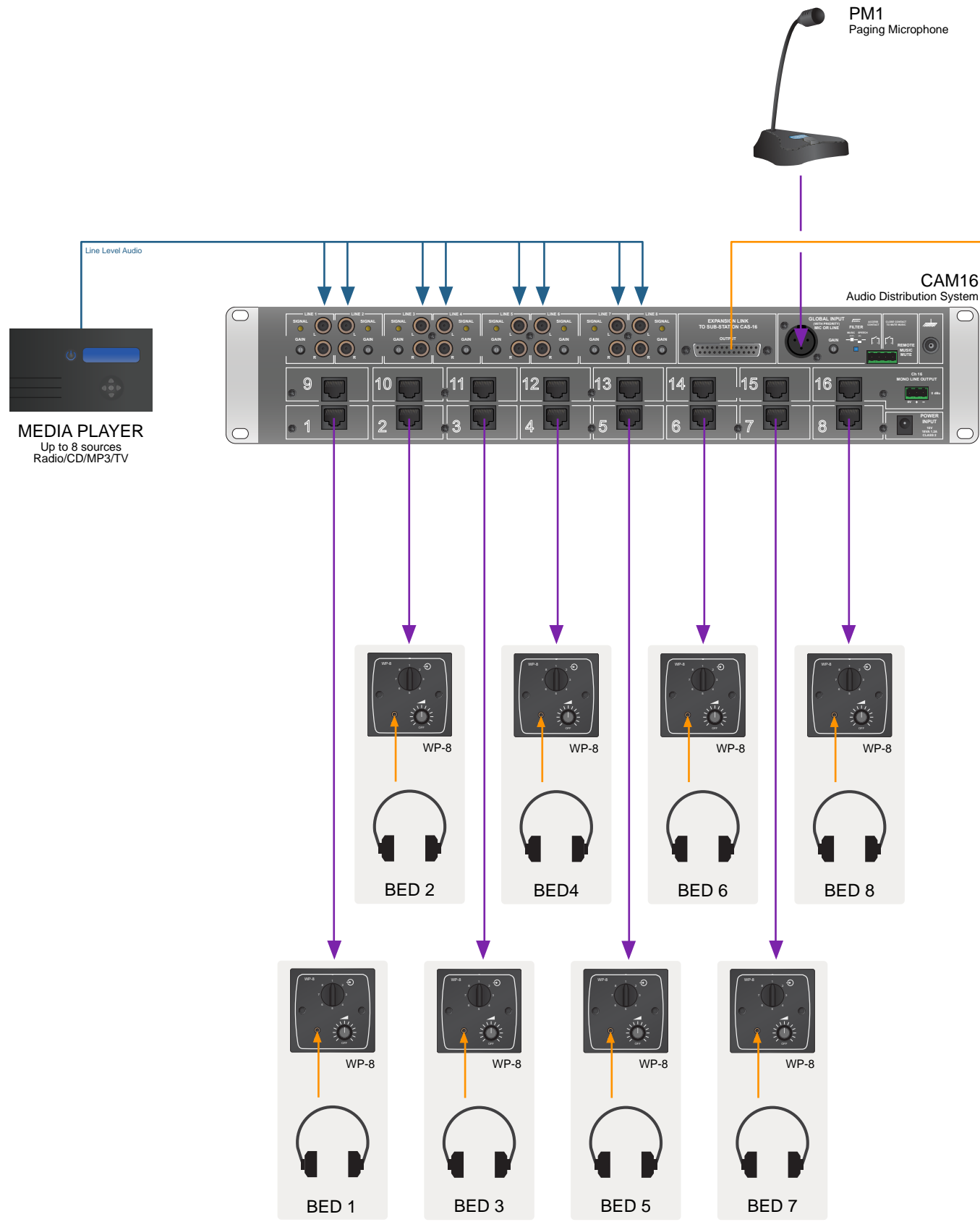
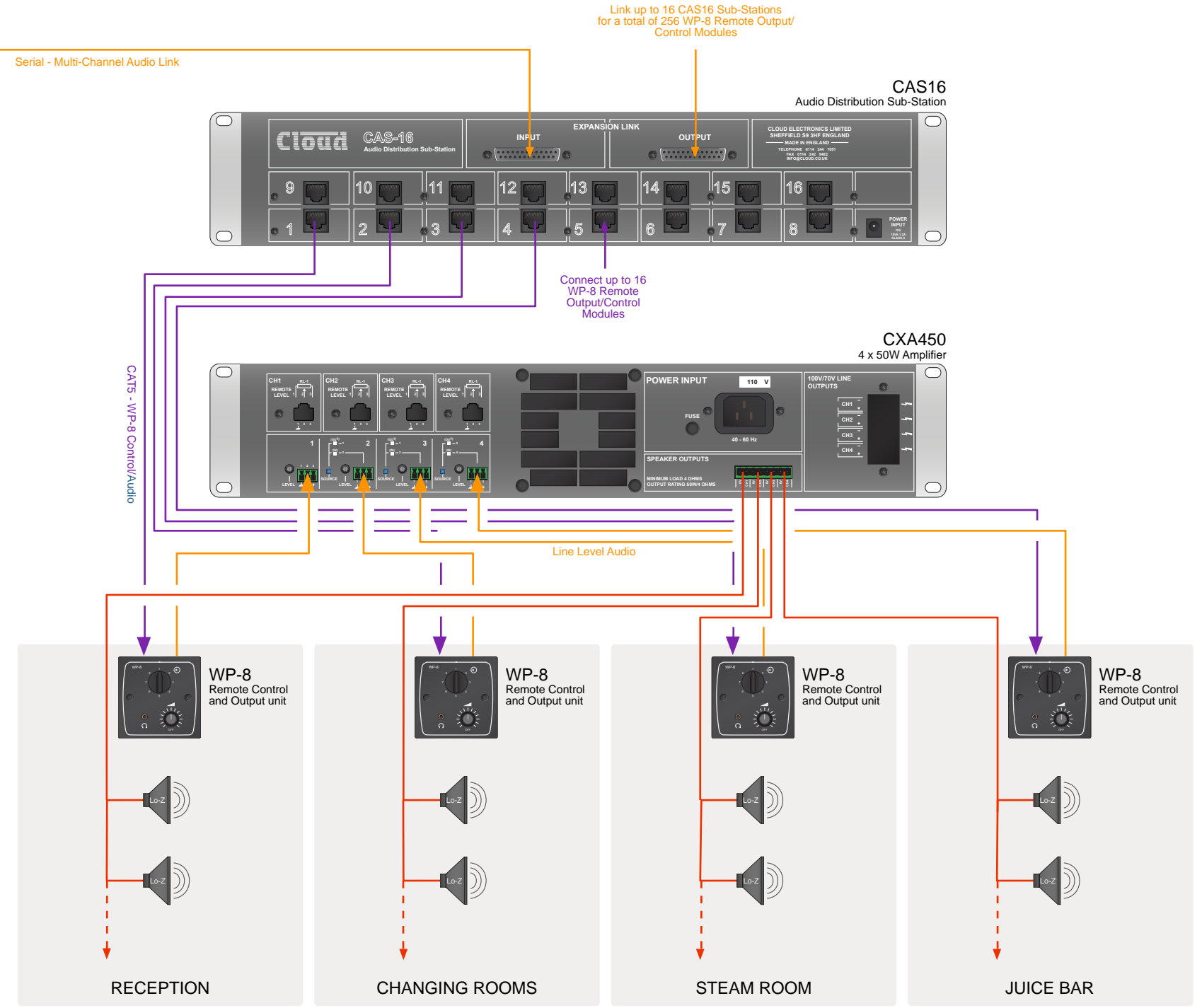


Hotel Spa

The Hotel Spa utilises the CAM16 Audio Distribution System in addition to the CAS16 Sub-Station to provide up to 8 individual audio sources and remote source/level control via the WP-8. The system design allows the combination of both headphones and local loudspeakers, each with local control.



8 TREATMENT BEDS WITH GUEST HEADPHONES



4 AUDIO ZONES WITH SOURCE AND LEVEL CONTROL